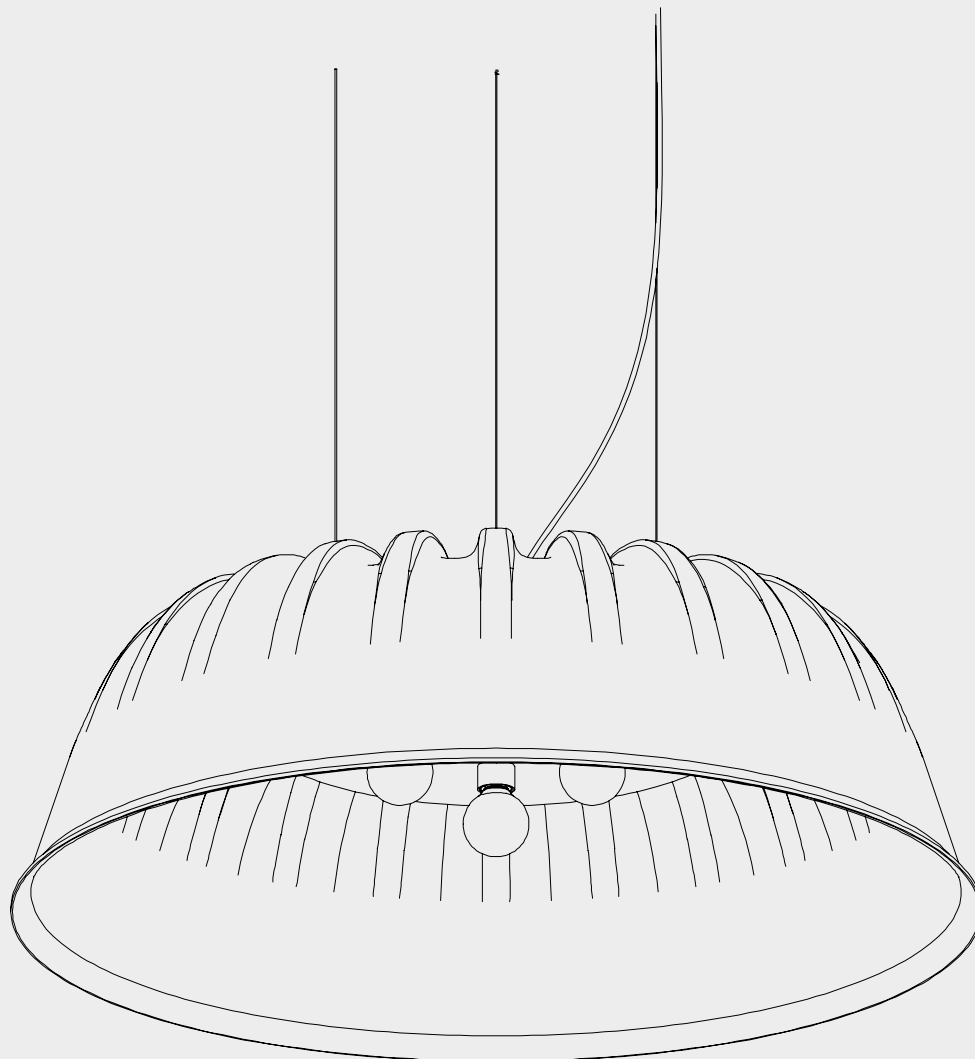


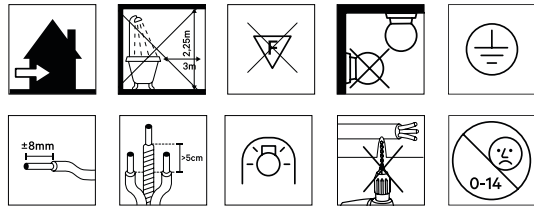
# Fost Large Bulb Acoustic Lamp Installation Guide



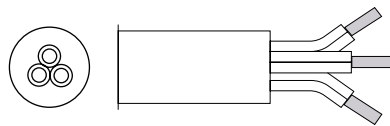
DeVorm

## Introduction

- Follow the instructions for a safe installation.
- Make sure that the power supply has been turned off before installing or cleaning the product.
- Pay attention to the correct colours when connecting the wires: blue (N), brown or black (L) and protection class I yellow/green (earth wire).
- Maintain interior lighting with a dry cloth or brush. Do not use alcohol or any other solvents to clean the product. Keep all electrical components dry. Make sure the power is switched off before cleaning this product.
- If the fixture is mounted on a metal surface, it must be earthed or connected to earthing from the electrical installation.



## 3 core wire



Brown	L
Blue	N
Yellow/green	Ground

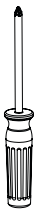
## About

With its impressive volume and graphic design, Fost Large Bulb brings elegance and functionality to any space. Made of PET Felt material, the lamp dampens the sounds providing acoustic comfort underneath it. Available in a vibrant colour palette and equipped with a universal fitting, Fost Large Bulb adds versatility to your lighting choices.

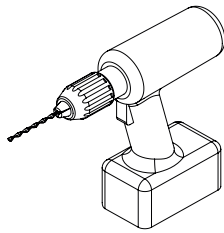
## Design

De Vorm

Tools

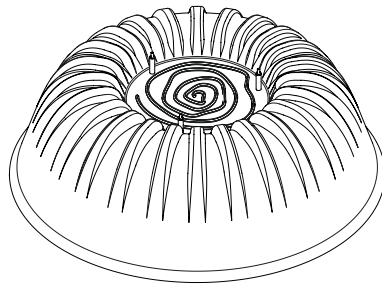


PZ Cross-head  
screwdriver

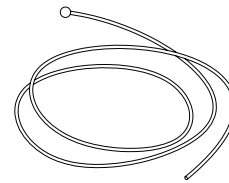


Drill

Parts required



Assembled Fost Large Bulb Lamp  
incl. 3-core transparent  
electrical cord 3m



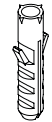
Steel cable with ball end  
ø1.2mm x 3m



Ceiling cap + disk  
M14 X 1  
3x



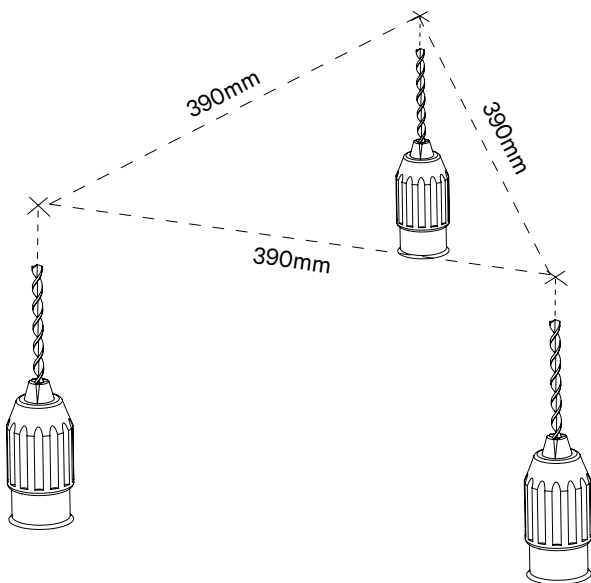
Screws  
P2 4x40  
3x



Plug  
ø6x30mm  
3x

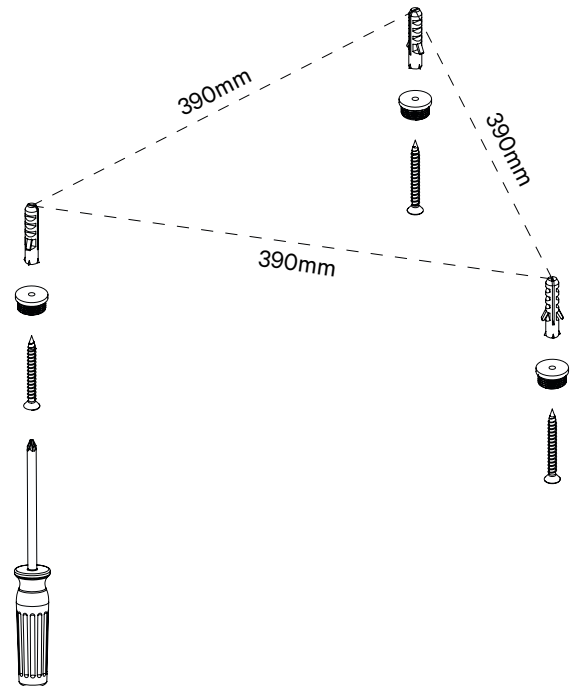
- 1 Make sure the power is switched off.  
The assembly of Fost Large Bulb requires at least two people

- 2 Drill 3 holes with 390mm between them

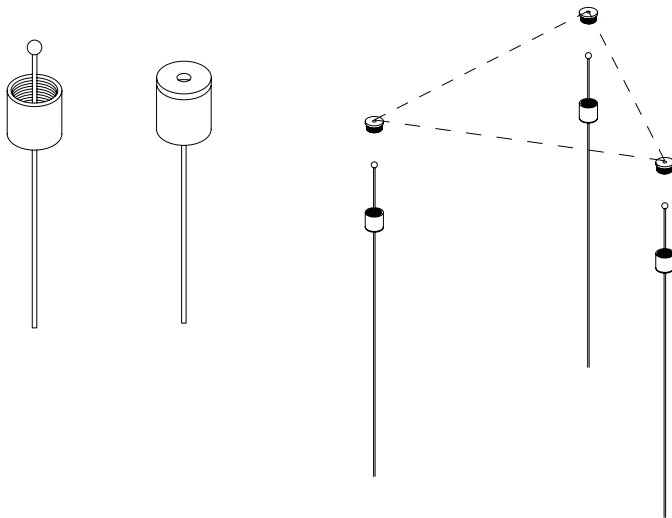


- ! Make sure you use the correct type of drill for the material you are drilling into

- 3 Insert plugs and screw the ceiling disk onto the plug



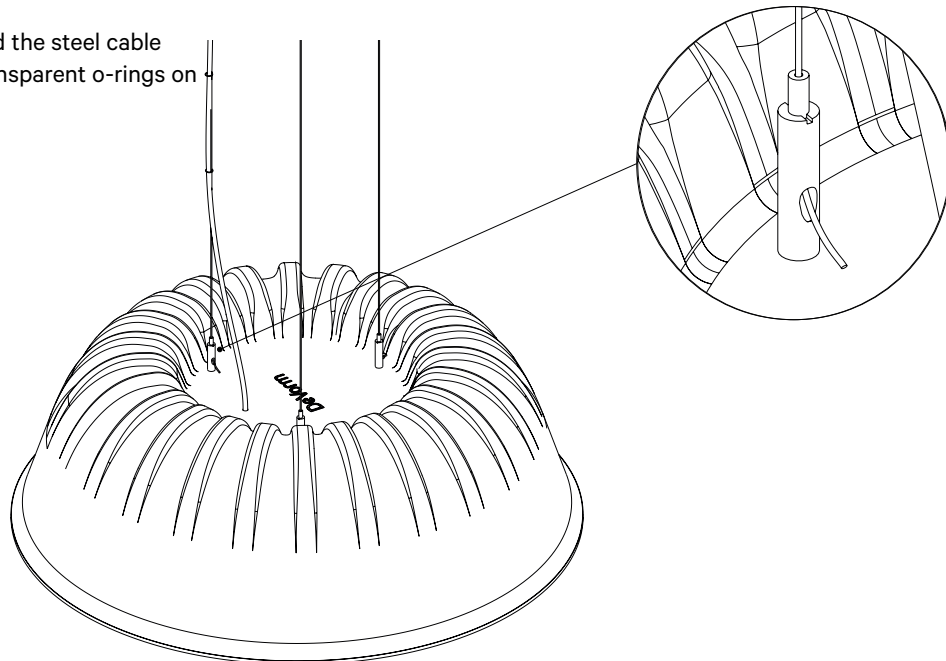
4 Insert the steel cable with ball end into the ceiling cap. Then mount the ceiling cap on the ceiling disk



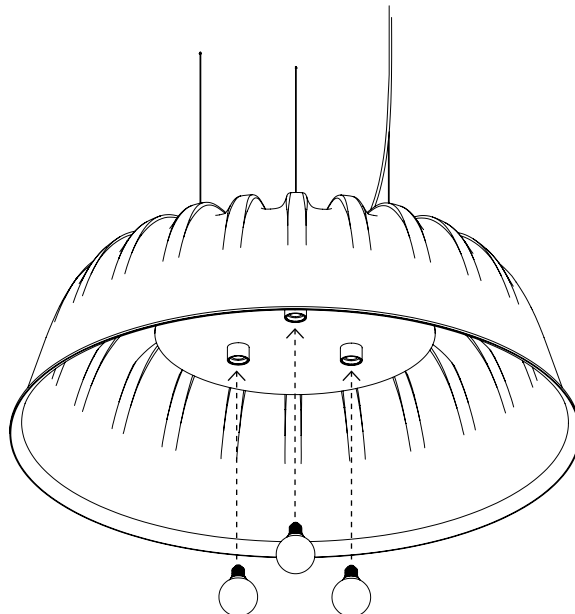
5 Push the three steel cables into the cable adjusters and adjust them to the desired height



Make sure to thread the steel cable through the transparent o-rings on the electrical cord



6 Connect the lamp to power supply and put the light bulbs in the fittings



Depending on your order, Fost Large Bulb is delivered with E26 or E27 fittings. Light bulbs are not included

# De Vorm

## We create interior products by today's standards.

De Vorm is established in a new era, we develop products by the standards of today. This means we produce efficiently, use the full lifecycle of products and eventually give them a new life.

Our emphasis lies on making a product that works, by setting a variety of conditions; it should be legible, accessible, but also environmental friendly and aesthetically perfectly in balance.

## We like a product because of its functionality.

A good product makes life easier — by helping us function better throughout the day. We firmly believe that the beauty of a design lies in the sum of its functions. That is what makes it a complete product.

## We continuously raise the bar.

From the very first sketches we already start searching, combining and developing new techniques to find new possibilities to innovate. Our design process is infused with technical development; techniques result in aesthetic features and the other way round.

Dijkgraaf 38  
3921 RL Duiven  
The Netherlands

T +31(0) 268 200 360  
E [info@devorm.nl](mailto:info@devorm.nl)  
W [www.devorm.nl](http://www.devorm.nl)