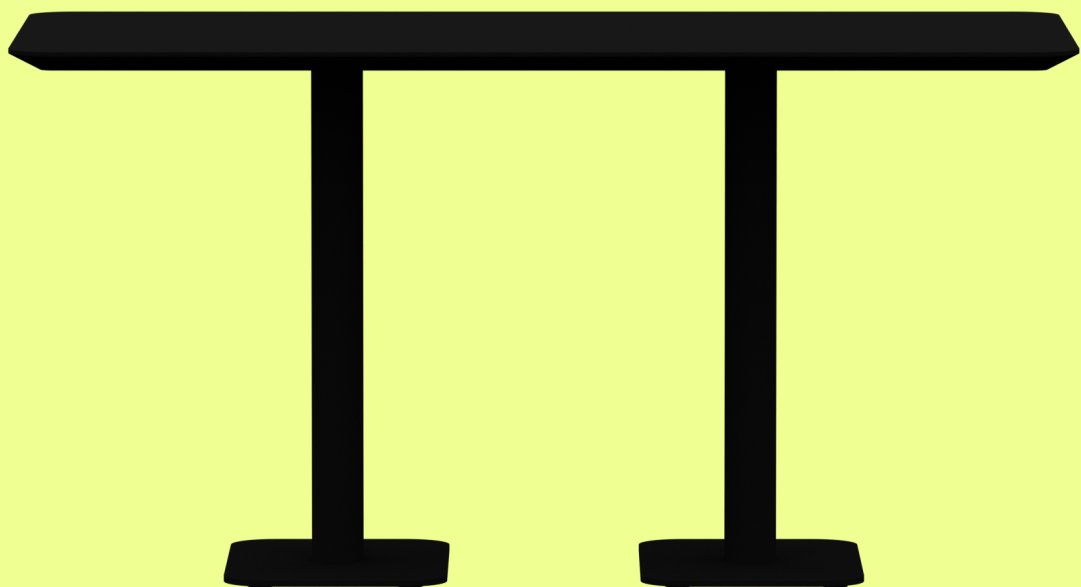


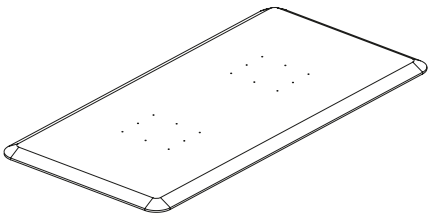
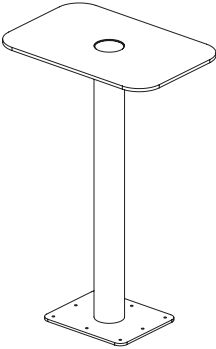
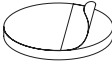
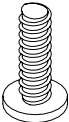
DeVorm

MG 4 Table

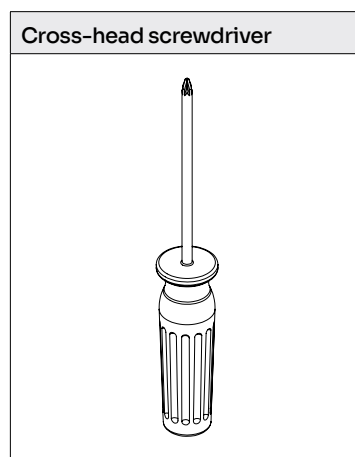
Installation guide



Parts required

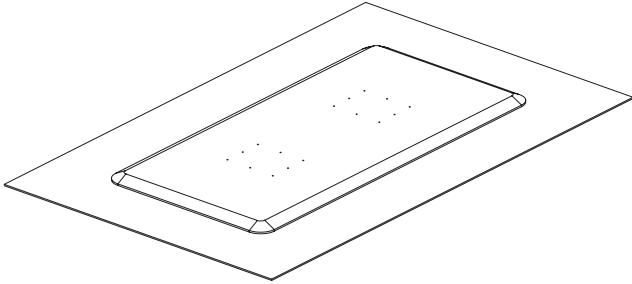
Tabletop 1x	Column base 2x	Felt glider Ø55x5 8x	Screw 5x16 16x
 A rectangular tabletop with a hole in the center and a grid of small holes on the surface.	 A column base consisting of a square top plate with a hole in the center, a vertical column, and a square base plate with four mounting holes.	 A circular felt glider with a small tab on one side.	 A screw with a hexagonal head and a threaded shaft.

Tools required

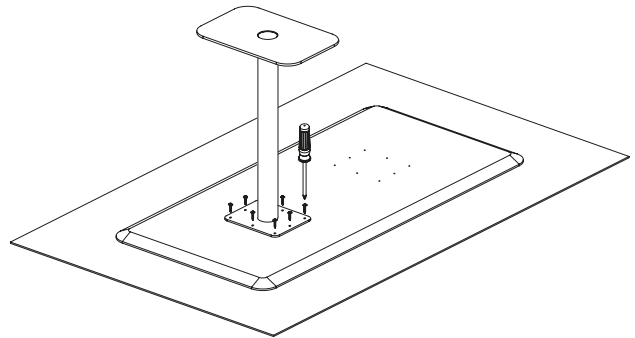


Installation

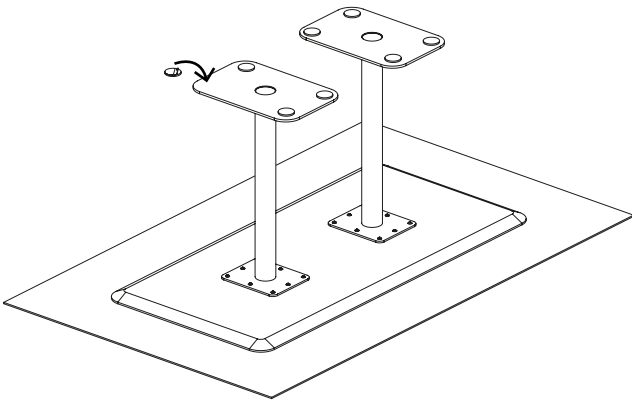
- 1** Place the tabletop on a flat surface facing upward. Use a protective blanket to avoid scratches.



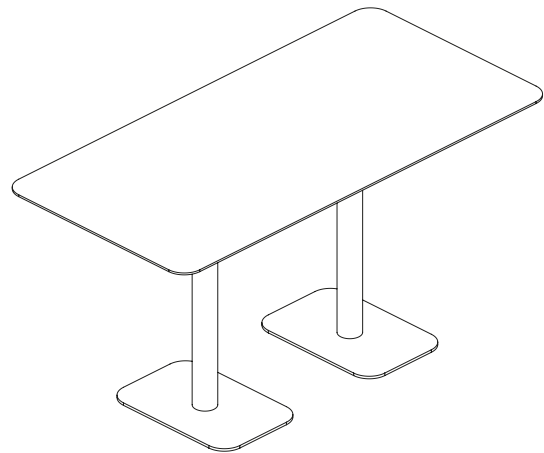
- 2** Align the column base with the hole pattern and screw it in with 8x screws. Repeat this step with the other base.



- 3** Stick 4x felt gliders to the bottom of each column.



- 4** Place the assembled table upright on a flat surface. You are all set!



Find us at

A Dijkgraaf 38
6921 RL Duiven
The Netherlands

Get in touch

T +31 (0) 26 820 03 60
E sales@devorm.nl
W www.devorm.nl

Stay up to date

IG [@de_vorm](https://www.instagram.com/de_vorm)
LI [/company/de-vorm](https://www.linkedin.com/company/de-vorm)
PIN [/devorm_interiorproducts](https://www.pinterest.com/devorm_interiorproducts)