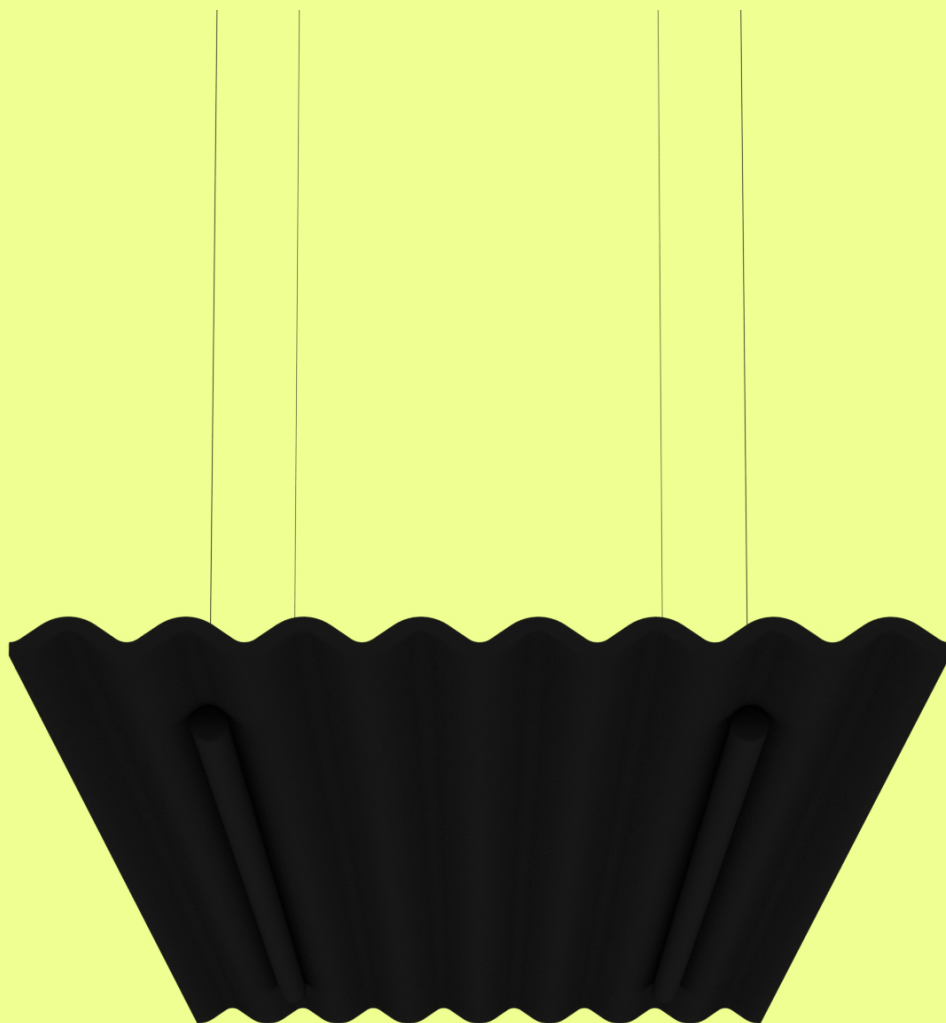


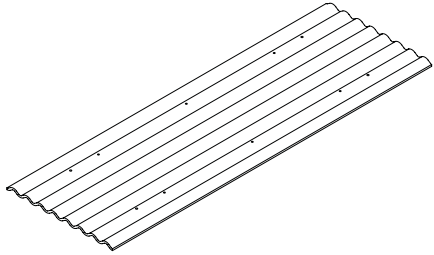
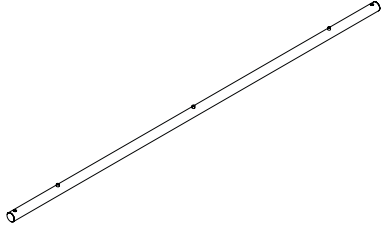
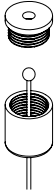
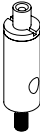
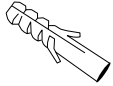
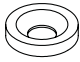

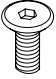
De Vorm

Mute Flow Floating

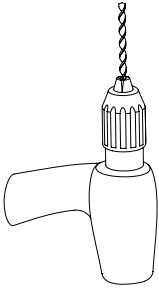
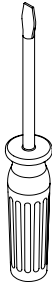
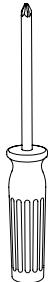

Installation guide



Parts required

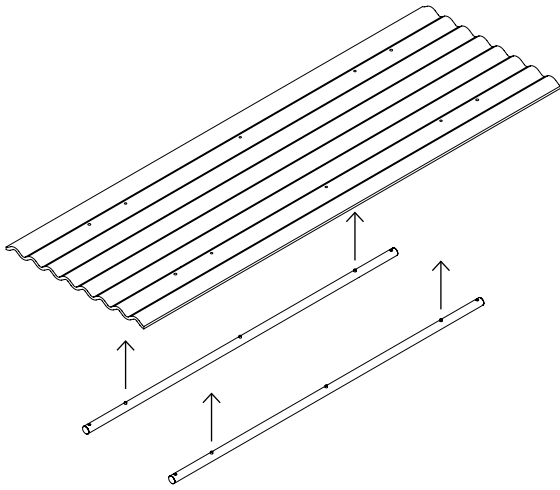
Mute Flow Floating Panel		Tubes 2x		Ceiling mount Ø11x14mm 4x	
					
Adjuster 4x	Wall plug Ø6x30mm 4x	Countersunk washer M6 6x	Screws PZ 4x40mm 4x	Screws M6x16 6x	
					

Tools required

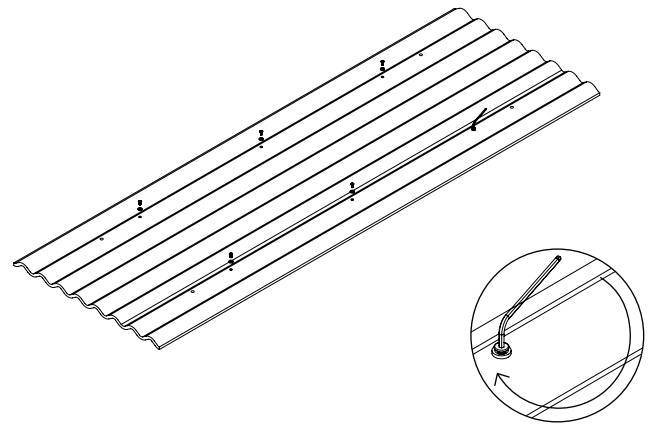
Drill Ø6 mm	Flathead screwdriver	Cross screwdriver	Allen key BZK 4
			

Installation

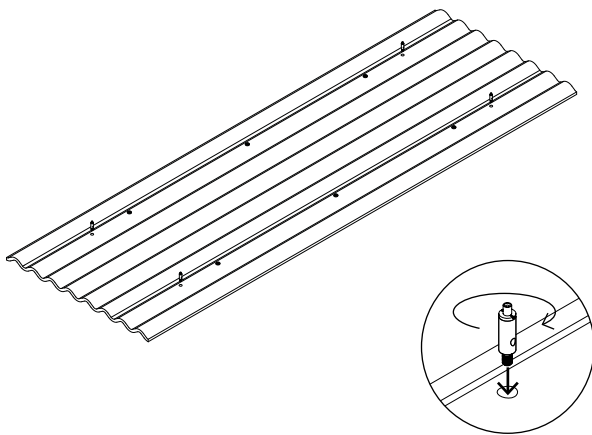
1 Align the holes in the tube with the holes in the panel.



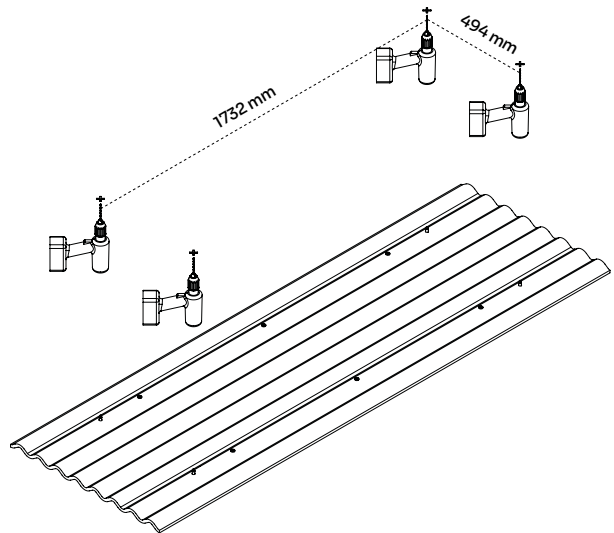
2 Mount light tubes on the panel with the screws together with the Countersunk washer.



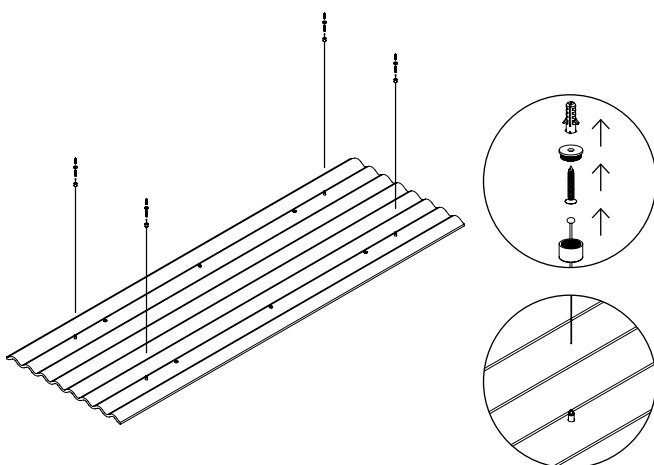
3 Turn the adjusters through the Mute panel in the tube.



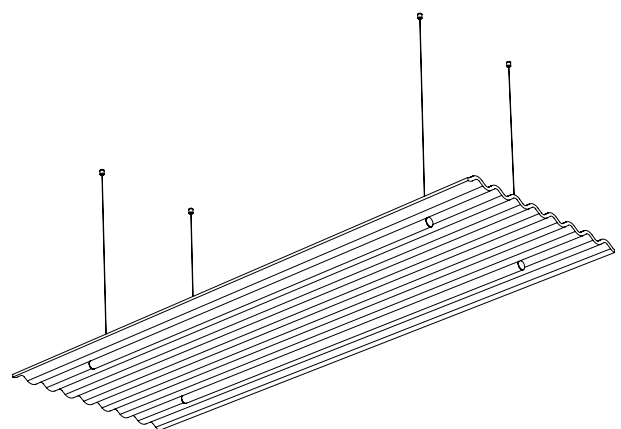
4 Drill holes in the ceiling.



5 Install the ceiling cap and connect the steel wires to the holes in the ceiling.



6 You are all set!



Find us at

A Dijkgraaf 38
6921 RL Duiven
The Netherlands

Get in touch

T +31 (0) 26 820 03 60
E sales@devorm.nl
W www.devorm.nl

Stay up to date

IG [@de_vorm](https://www.instagram.com/de_vorm)
LI [/company/de-vorm](https://www.linkedin.com/company/de-vorm)
PIN [/devorm_interiorproducts](https://www.pinterest.com/devorm_interiorproducts)