

AK 3+4

Room Divider Standing Installation Guide



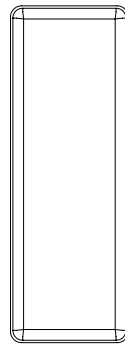
DeVorm

Tools



Allen key
BZK3
2x

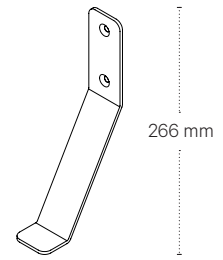
Parts required



AK 3/4
Panel

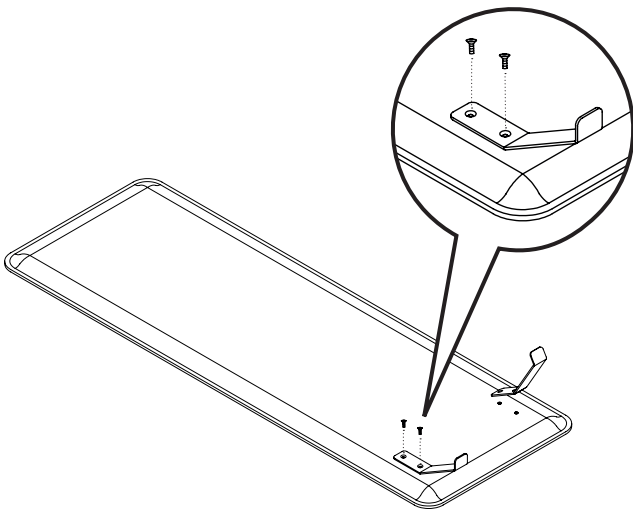


Screws
M6x16 mm
8x

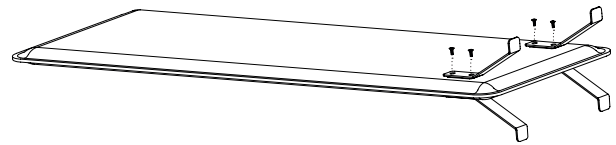


Legs + plastic gliders
4x

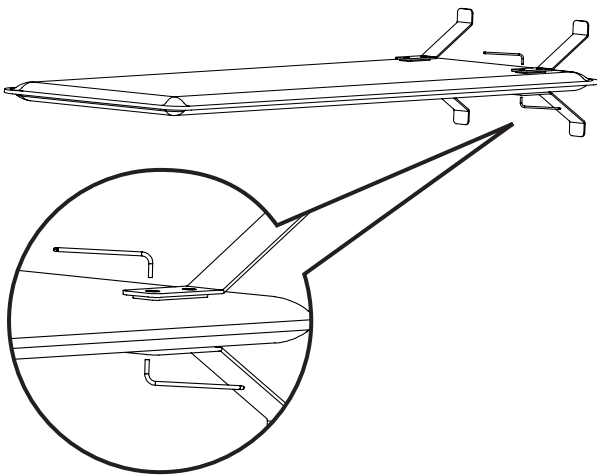
1 Assemble the legs onto the spacers in the panel.



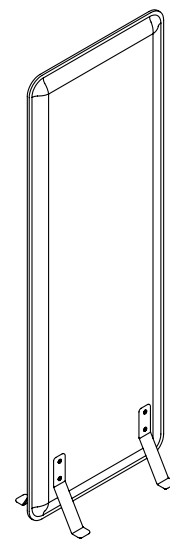
2 Repeat on the other side.



3 Tighten the screws on both sides. Use two identical allen keys.



4 The assembly of the AK 3/4 Room Divider Stand is now completed.



DeVorm

We create interior products by today's standards.

De Vorm is established in a new era, we develop products by the standards of today. This means we produce efficiently, use the full lifecycle of products and eventually give them a new life.

Our emphasis lies on making a product that works, by setting a variety of conditions; it should be legible, accessible, but also environmental friendly and aesthetically perfectly in balance.

We like a product because of its functionality.

A good product makes life easier — by helping us function better throughout the day. We firmly believe that the beauty of a design lies in the sum of its functions. That is what makes it a complete product.

We continuously raise the bar.

From the very first sketches we already start searching, combining and developing new techniques to find new possibilities to innovate. Our design process is infused with technical development; techniques result in aesthetic features and the other way round.

Leemansweg 45
6827 BX Arnhem
The Netherlands

T +31(0) 268 200 360
E info@devorm.nl
W www.devorm.nl