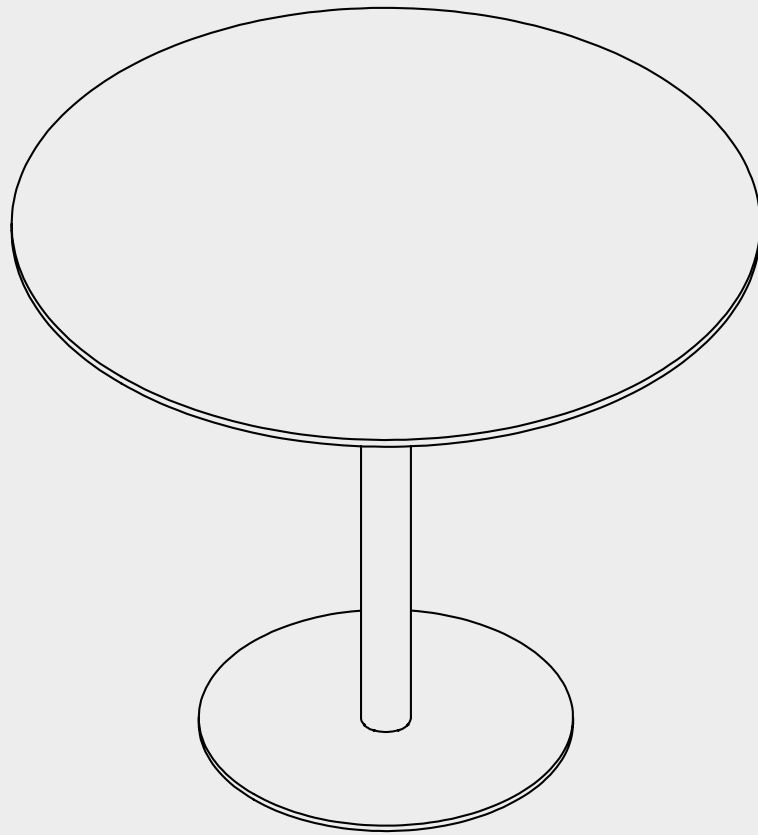


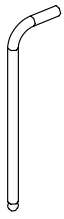
Column Table Round 60+90

Installation Guide

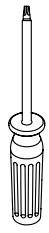


DeVorm

Tools



Allen key
BZK3



Torx
T30

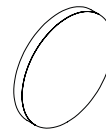
Parts required



Screws
6x30
4x



Screws
M8x40
2x



Felt pads
5x

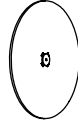
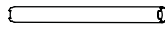


Table base
1x



Column
1x



Mounting
cross
1x

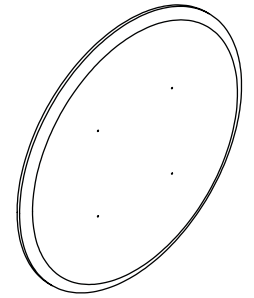
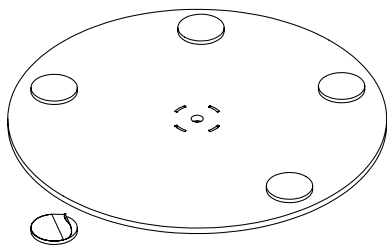


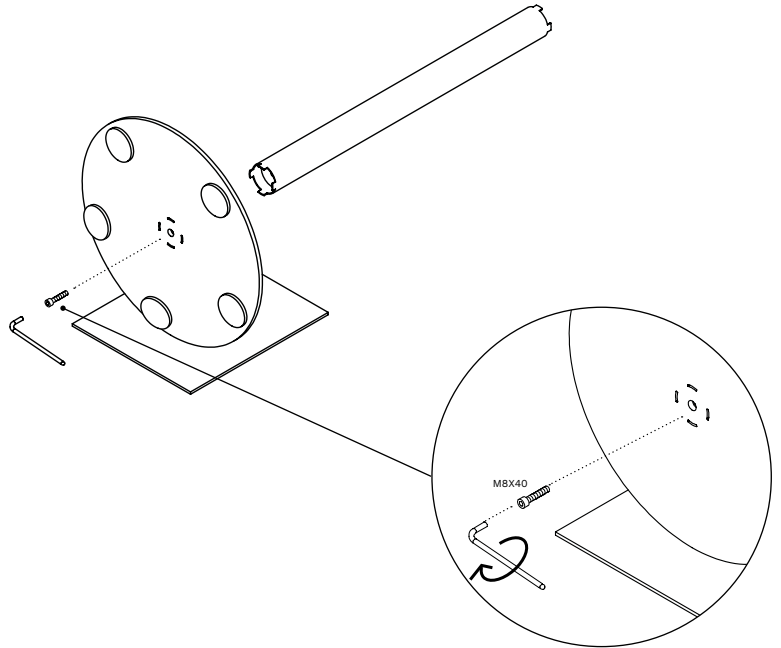
Table top
1x

- 1 Stick 5x felt gliders to the bottom of the table base.

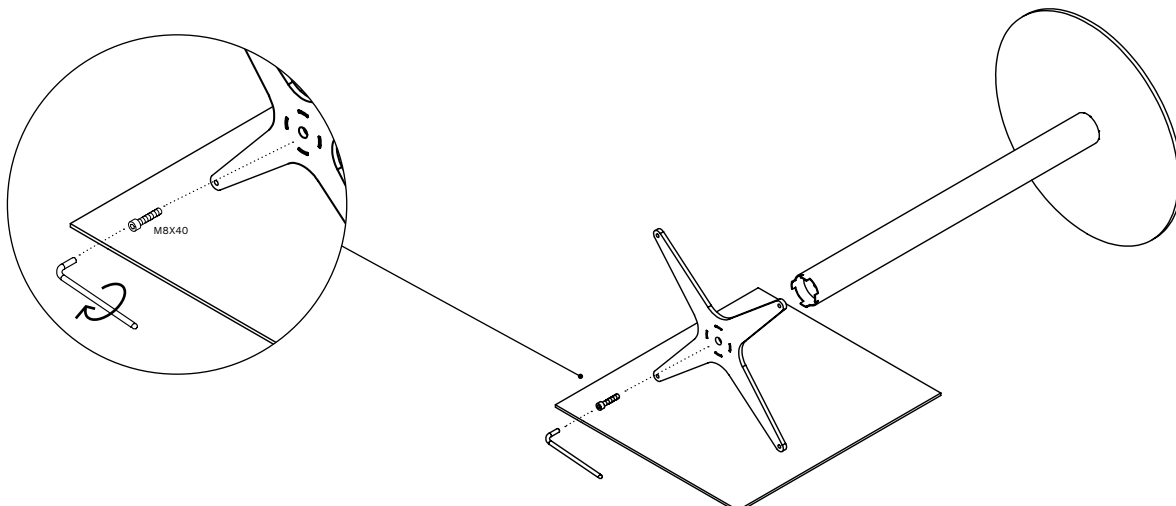


! Work on a protective blanket to avoid scratches

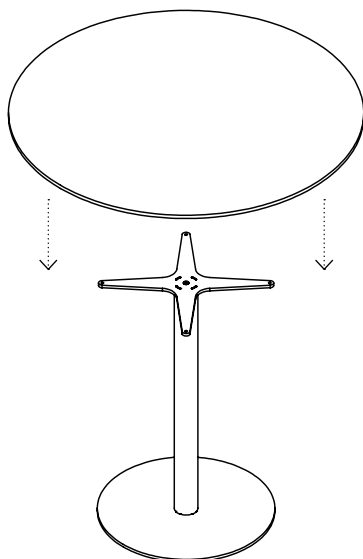
- 2 Attach the column pipe to the base using M8x40 screw and allen key.



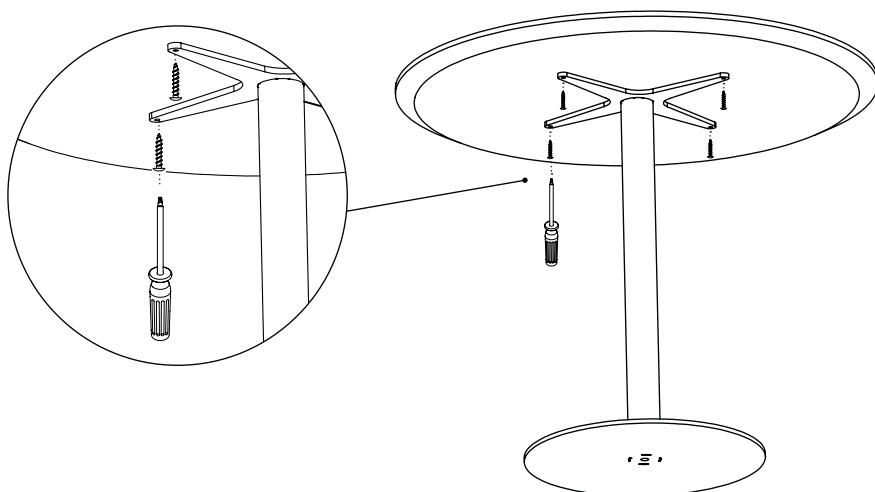
- 3 Attach the mounting cross to the other side of the column pipe using M8x40 screw.



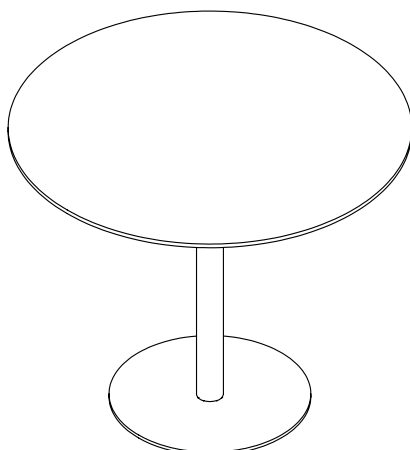
-
- 4 Put the assembled frame upright and place the tabletop onto the frame.



-
- 5 Align the mounting cross with the hole pattern on the bottom side of the tabletop. Attach the tabletop to the frame using 6x30 screws (4x).



-
- 6 Place the assembled table on a flat surface. You are all set!



We create interior products by today's standards.

De Vorm is established in a new era, we develop products by the standards of today. This means we produce efficiently, use the full lifecycle of products and eventually give them a new life.

Our emphasis lies on making a product that works, by setting a variety of conditions; it should be legible, accessible, but also environmental friendly and aesthetically perfectly in balance.

We like a product because of its functionality.

A good product makes life easier — by helping us function better throughout the day. We firmly believe that the beauty of a design lies in the sum of its functions. That is what makes it a complete product.

We continuously raise the bar.

From the very first sketches we already start searching, combining and developing new techniques to find new possibilities to innovate. Our design process is infused with technical development; techniques result in aesthetic features and the other way round.