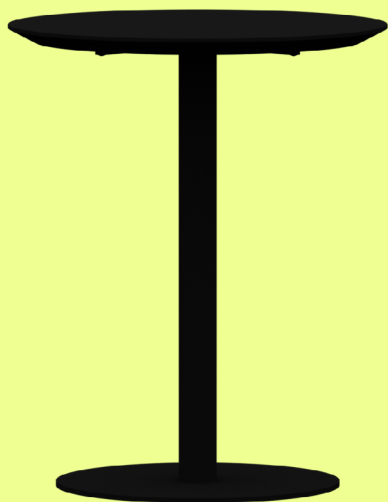


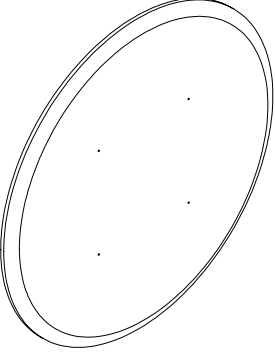
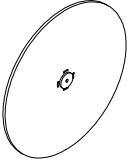
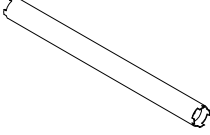
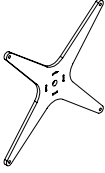
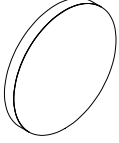
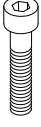

# DeVorm

## Column Table Round 60 + 90


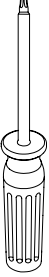
Installation guide



## Parts required

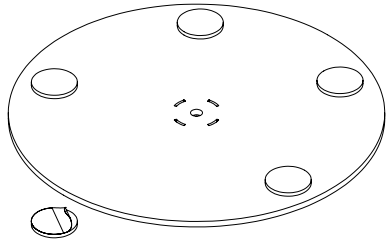
Tabletop 1x	Table base 1x	Column 1x	Mounting cross 1x
			
Felt pads 5x	Screws M8x40 2x	Screws 6x30 4x	
			

## Tools required

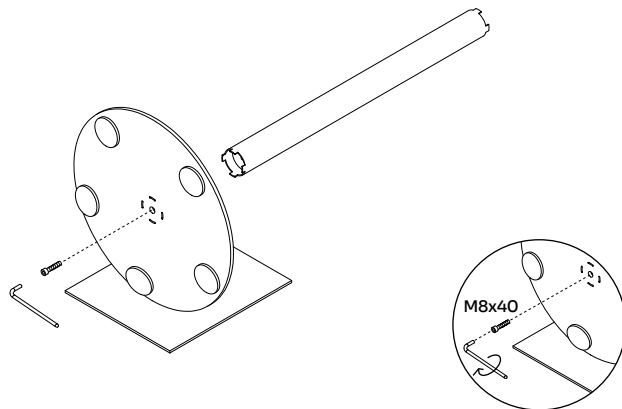
Allen key BZK3	Torx T30
	

# Installation

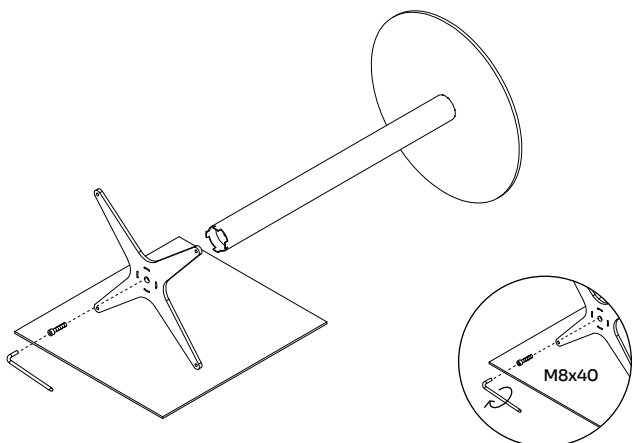
- 1** Stick 5x felt gliders to the bottom of the table base. Work on a protective blanked to avoid scratches.



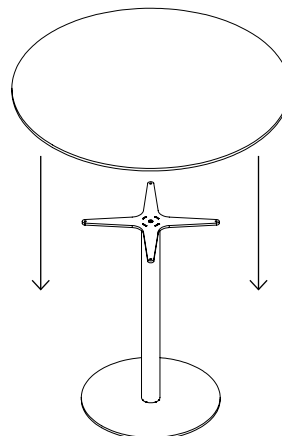
- 2** Attach the column pipe to the base using M8x40 screw and allen key.



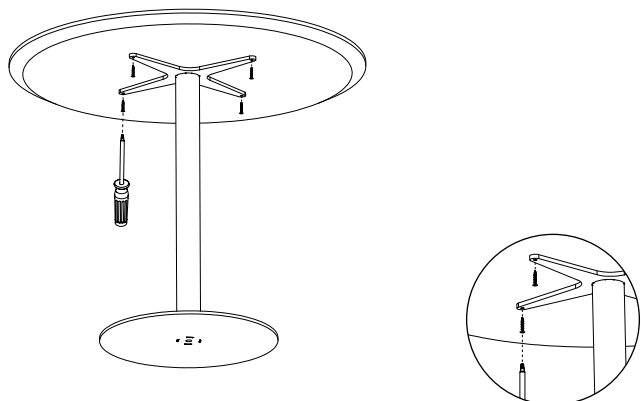
- 3** Attach the mounting cross to the other side of the column pipe using M8x40 screw.



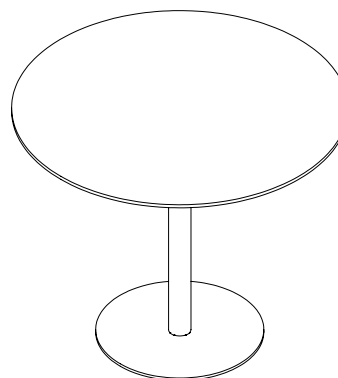
- 4** Put the assembled frame upright and place the tabletop onto the frame.



- 5** Align the mounting cross with the hole pattern on the bottom side of the tabletop. Attach the tabletop to the frame using 6x30 screws (4x).



- 6** Place the assembled table on a flat surface. You are all set!



## Find us at

**A** Dijkgraaf 38  
6921 RL Duiven  
The Netherlands

## Get in touch

**T** +31 (0) 26 820 03 60  
**E** [sales@devorm.nl](mailto:sales@devorm.nl)  
**W** [www.devorm.nl](http://www.devorm.nl)

## Stay up to date

**IG** [@de\\_vorm](https://www.instagram.com/de_vorm)  
**LI** [/company/de-vorm](https://www.linkedin.com/company/de-vorm)  
**PIN** [/devorm\\_interiorproducts](https://www.pinterest.com/devorm_interiorproducts)