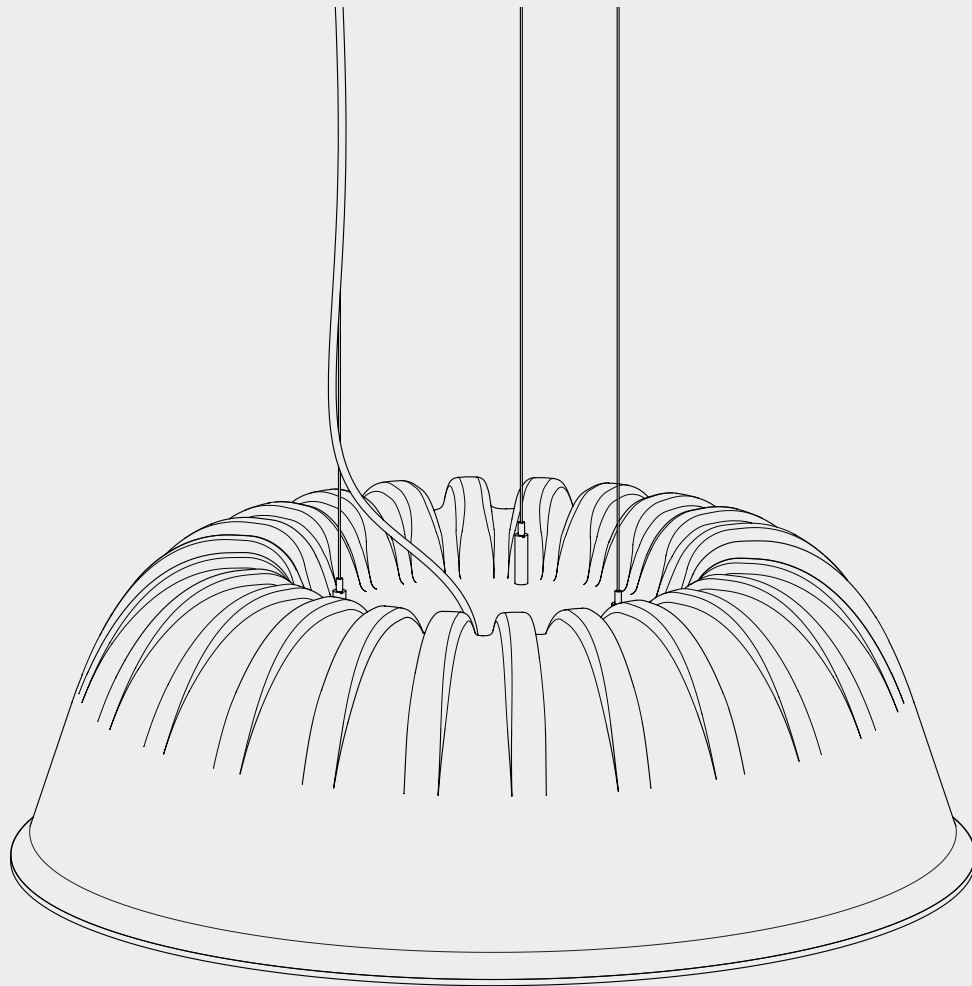


# Fost Large Acoustic Lamp Installation Guide



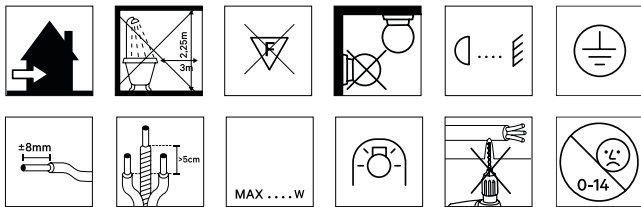
DeVorm

## Introduction

- Follow the instructions for a safe installation.
- Make sure that the power supply has been turned off before installing or cleaning the product.
- Maintain interior lighting with a dry cloth or brush. Do not use alcohol or any other solvents to clean the product. Keep all electrical components dry. Make sure the power is switched off before cleaning this product.
- If the fixture is mounted on a metal surface, it must be earthed or connected to earthing from the electrical installation.



The lighting fixture has been designed, produced and tested according to European safety regulations (EN-60598 / CE). Changes in design and technical specifications reserved.



## About

Fost Large offers a combined solution for acoustics and illumination. The lamp comes with an impressive ø118 cm lampshade and a spheric LED module, casting high-quality, dimmable light. A bold ribbed pattern on the outside and a soft fabric on the inside create a contrasting visual effect. With 11 colours to choose from, Fost Large meets the functional and aesthetic needs of any interior.

## Design

De Vorm

## Care & Maintenance

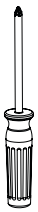
Make sure that the power has been turned off before cleaning this product. It is advised to clean by dabbing the PET Felt with a damp cloth. Do not rub, it can cause damage and may cause bald spots. If this is not sufficient, stubborn stains can be removed with qualitative cleaning products like the James cleaning set.

Visit [devorm.nl](http://devorm.nl) for more information.

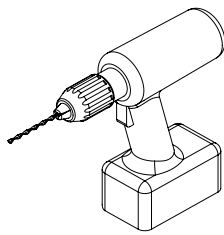
## Specifications

Light output	1400Lm
Voltage	120V-240V
Power	14W
Colour temperature	3000K / 4000K
CRI	>80
Beam angle	120°
Cover material	PC
Operating temperature	-20° - 65°
LED driver	Included
Dimmable	DALI
Rated life hours	L70B50 (50.000h)
Power factor	>0,9
IP rating	IP44

Tools

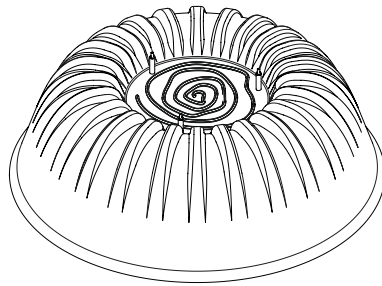


PZ Cross-head  
screwdriver

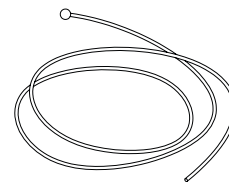


Drill

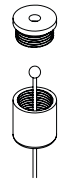
Parts required



Assembled Fost Large lamp  
incl. 5-core transparent  
electrical cord 3m



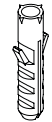
Steel cable with ball end  
ø1.2mm x 3m



Ceiling cap + disk  
M14 X 1  
3x



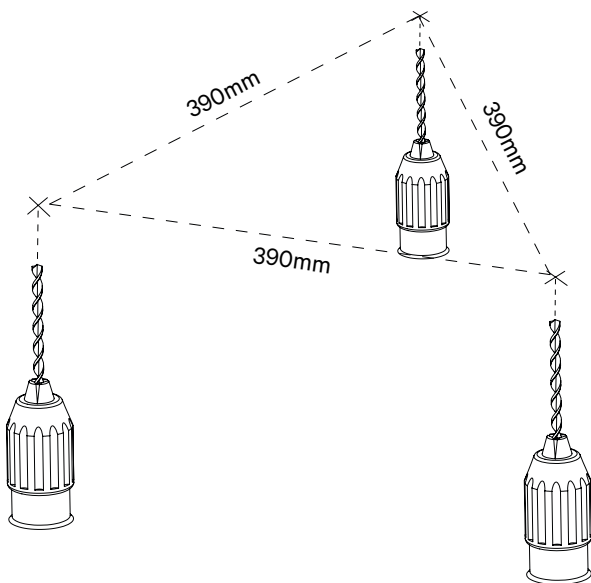
Screws  
P2 4x40  
3x



Plug  
ø6x30mm  
3x

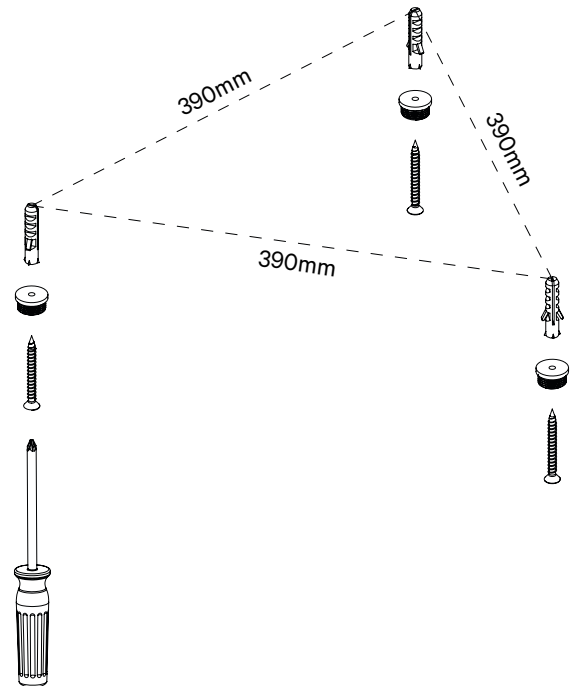
1 Make sure the power is switched off

2 Drill 3 holes with 220mm between them



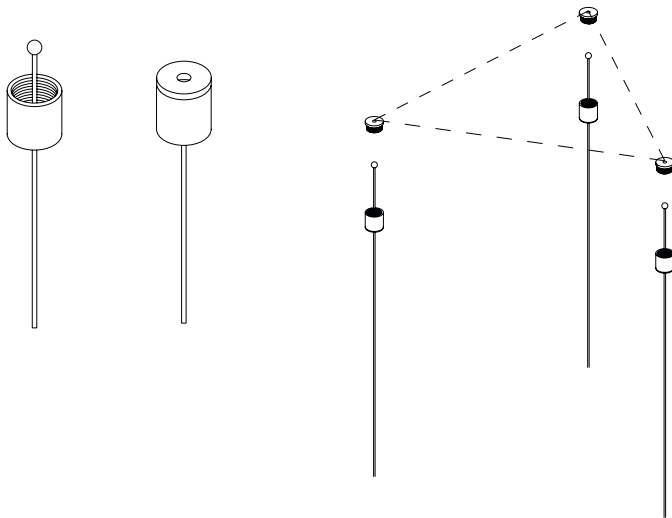
! Make sure you use the correct type of drill for the material you are drilling into

3 Insert plugs and screw the ceiling disk onto the plug



---

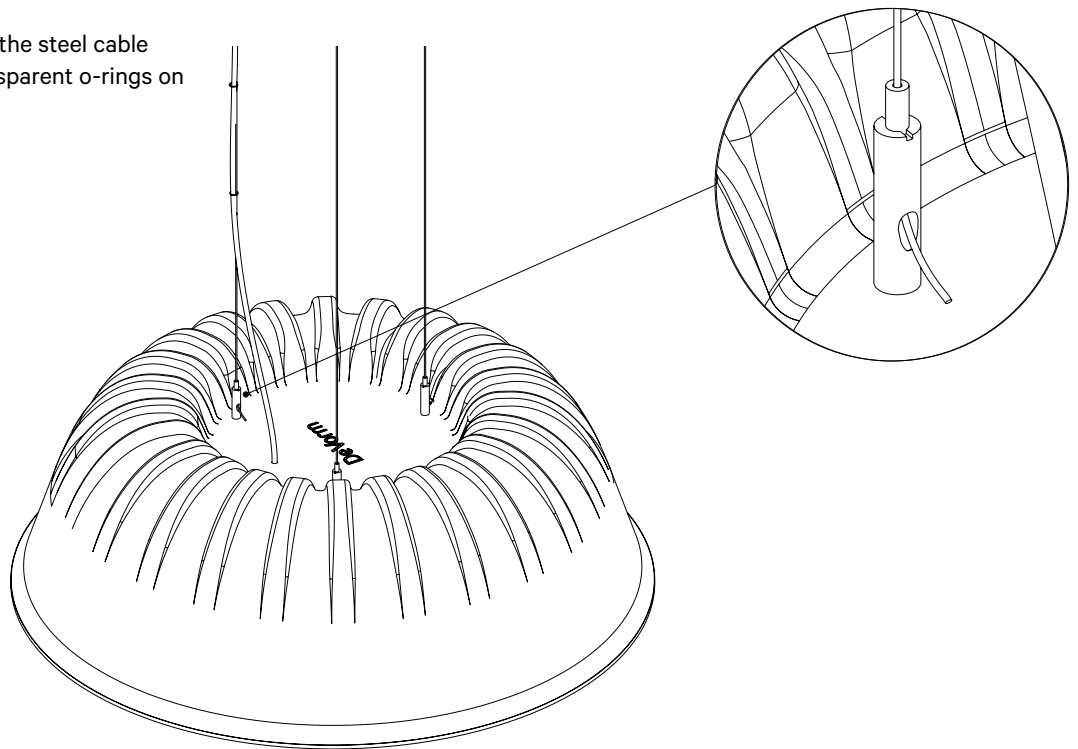
4 Insert the steel cable with ball end into the ceiling cap. Then mount the ceiling cap on the ceiling disk



---

5 Push the three steel cables into the cable adjusters and adjust them to the desired height

! Make sure to thread the steel cable through the transparent o-rings on the electrical cord



---

6 Connect the lamp to the power supply. You are all set!

## We create interior products by today's standards.

De Vorm is established in a new era, we develop products by the standards of today. This means we produce efficiently, use the full lifecycle of products and eventually give them a new life.

Our emphasis lies on making a product that works, by setting a variety of conditions; it should be legible, accessible, but also environmental friendly and aesthetically perfectly in balance.

## We like a product because of its functionality.

A good product makes life easier — by helping us function better throughout the day. We firmly believe that the beauty of a design lies in the sum of its functions. That is what makes it a complete product.

## We continuously raise the bar.

From the very first sketches we already start searching, combining and developing new techniques to find new possibilities to innovate. Our design process is infused with technical development; techniques result in aesthetic features and the other way round.