

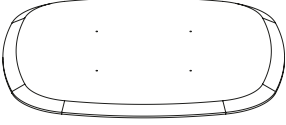
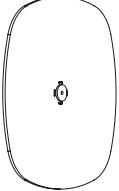

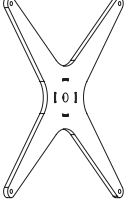

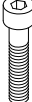
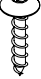
DeVorm

Hale Table


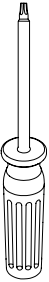
Installation guide



Parts required

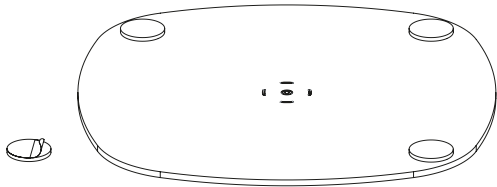
Tabletop 1x	Table base 1x	Column 1x	Mounting cross 1x
			
Felt glider Ø55x5 4x	Screws M8x40 2x	Screws 6x30 4x	
			

Tools required

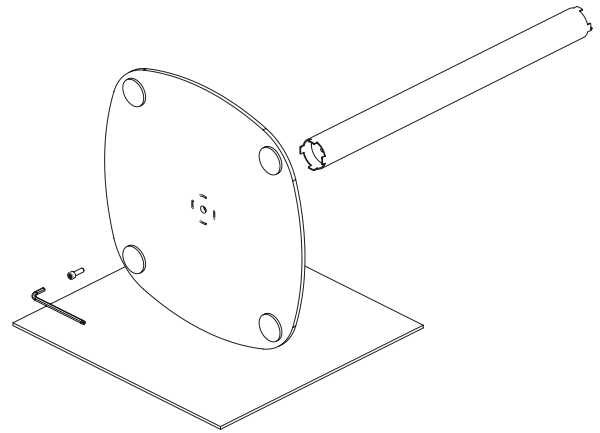
Allen key BZK3	Torx T30
	

Installation

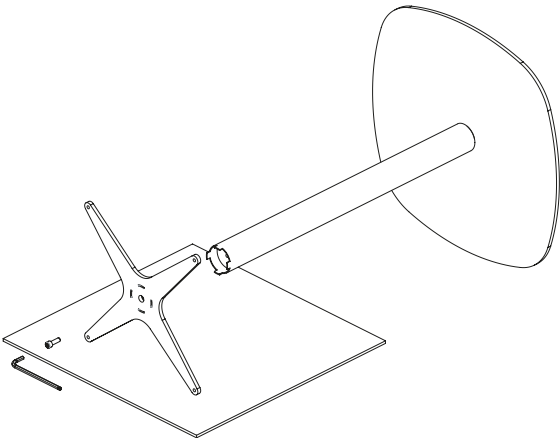
- 1** Stick 5x felt gliders to the bottom of the table base. Work on a protective blanked to avoid scratches.



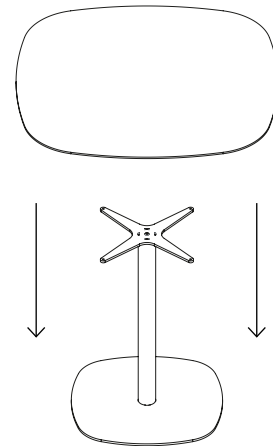
- 2** Attach the column pipe to the base using M8x40 screw.



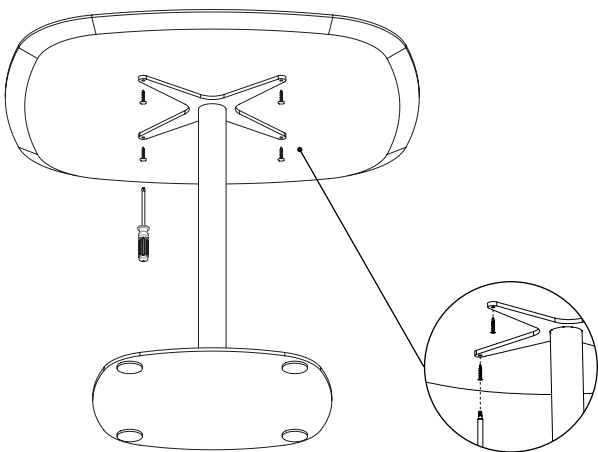
- 3** Attach the mounting cross to the other side of the column pipe using M8x40 screw.



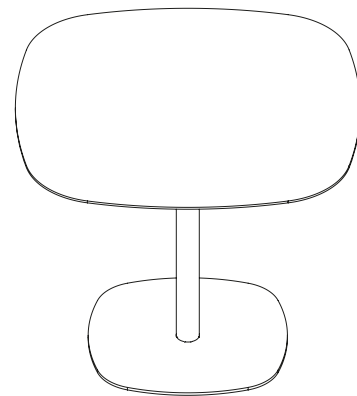
- 4** Put the assembled frame upright and place the tabletop onto the frame.



- 5** Align the mounting cross with the hole pattern on the bottom side of the tabletop. Attach the tabletop to the frame using 6x30 screws (4x).



- 6** Place the assembled table on a flat surface. You are all set!



Find us at

A Dijkgraaf 38
6921 RL Duiven
The Netherlands

Get in touch

T +31 (0) 26 820 03 60
E sales@devorm.nl
W www.devorm.nl

Stay up to date

IG [@de_vorm](https://www.instagram.com/de_vorm)
LI [/company/de-vorm](https://www.linkedin.com/company/de-vorm)
PIN [/devorm_interiorproducts](https://www.pinterest.com/devorm_interiorproducts)