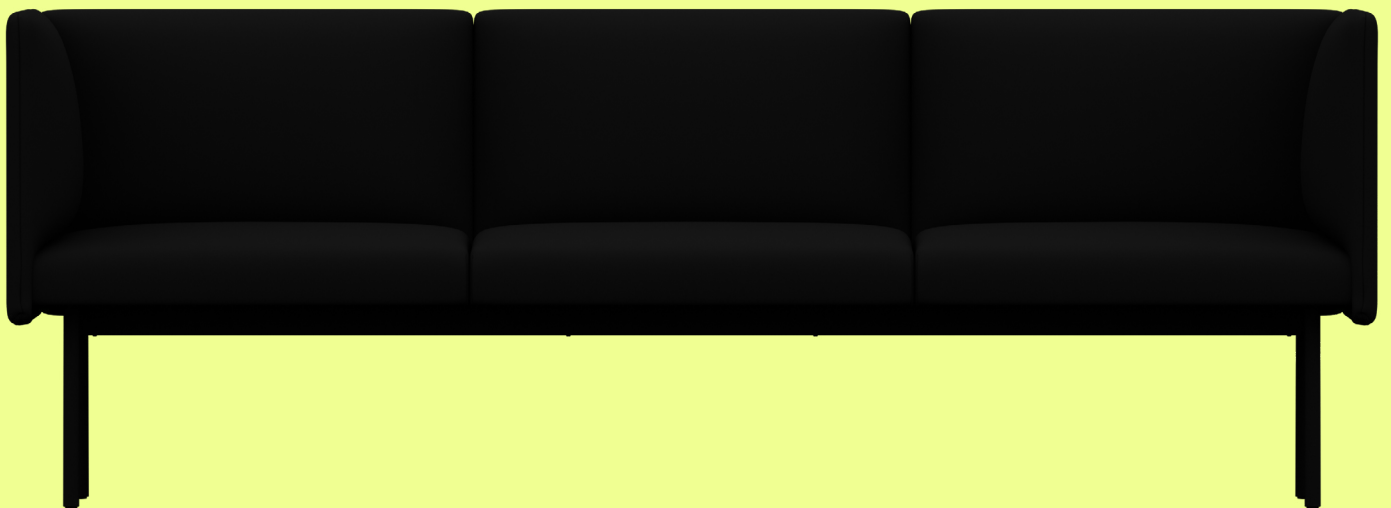


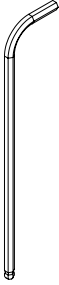
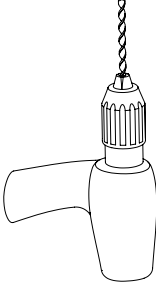
DeVorm

Mino Sofa Modular System

Installation guide

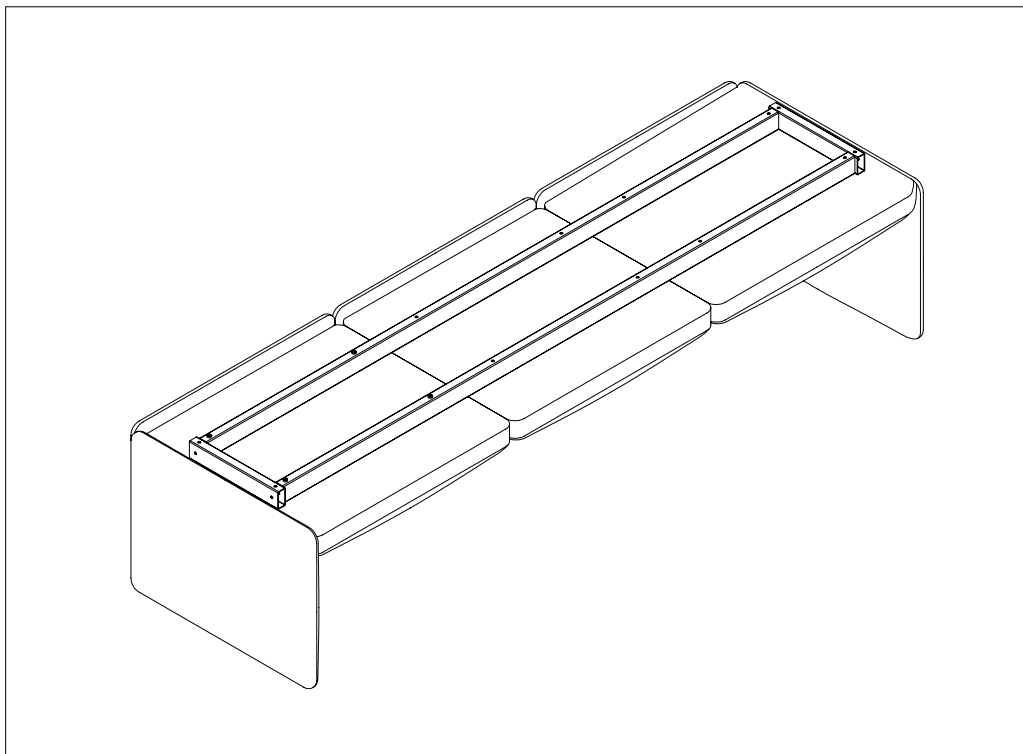


Tools required

Allen key	Drill
 A line drawing of an L-shaped Allen key, consisting of a long vertical shaft and a shorter horizontal shaft at the top, bent at a 90-degree angle.	 A line drawing of a hand-held power drill. It features a cylindrical body, a trigger switch on the side, and a drill bit inserted into the front chuck.

Mounting legs

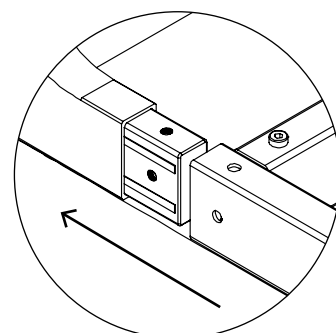
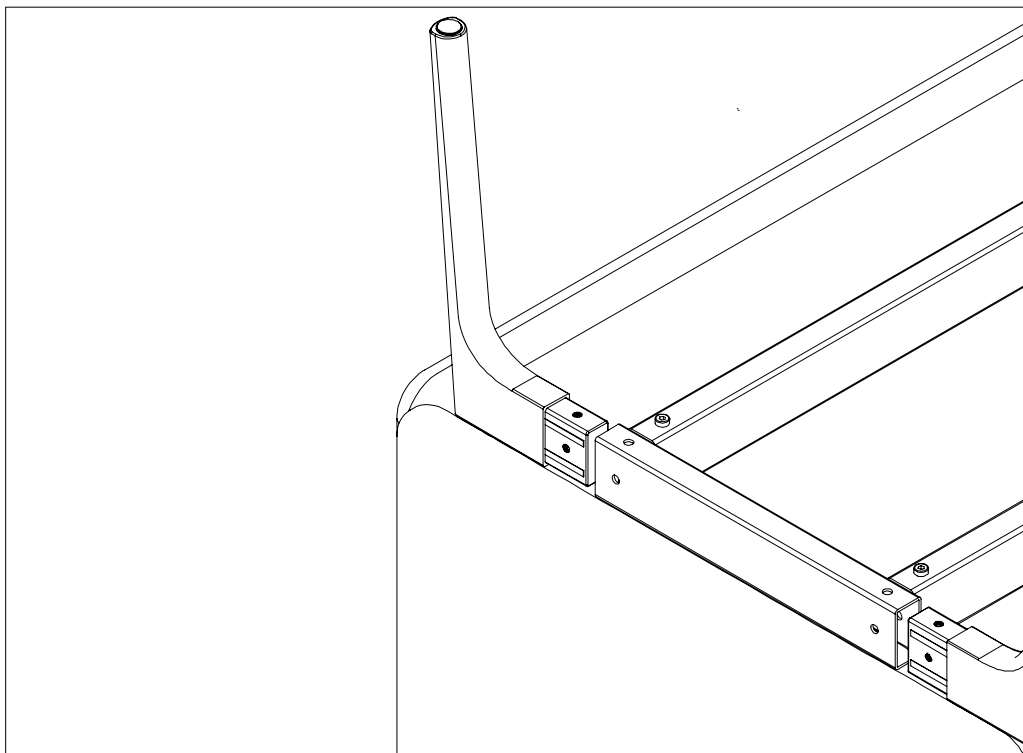
1.1 Place the Mino upside down



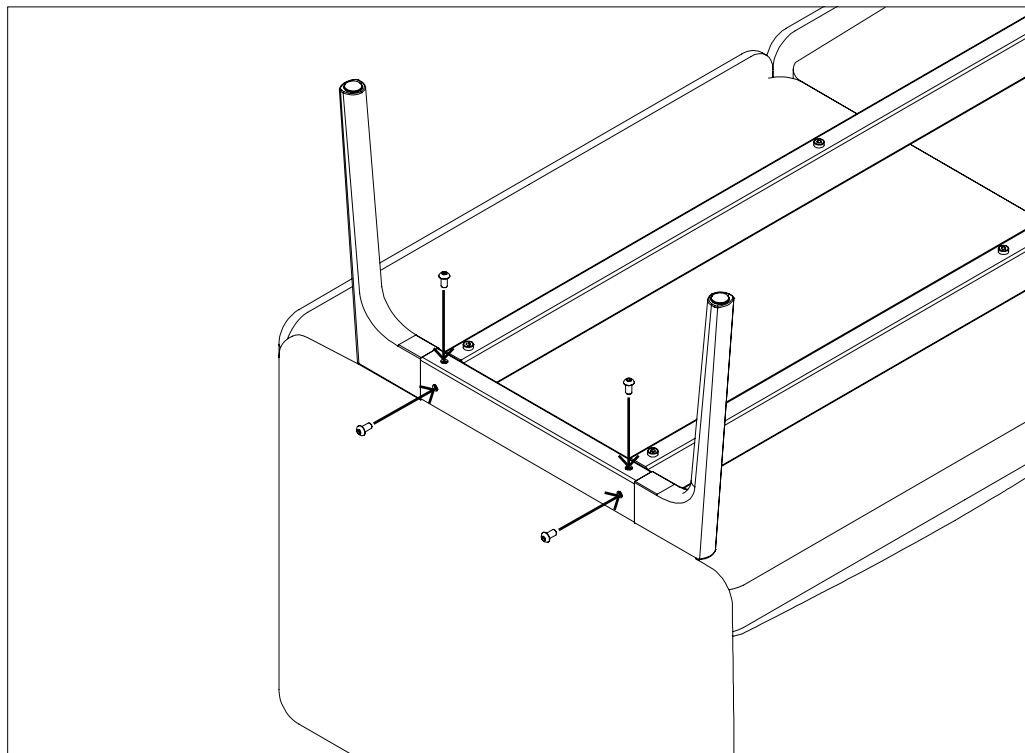
Place the Mino Sofa System upside down on a flat surface.

Use a protective blanket to avoid damaging the upholstery.

1.2 Slide the legs into the frame (4x)

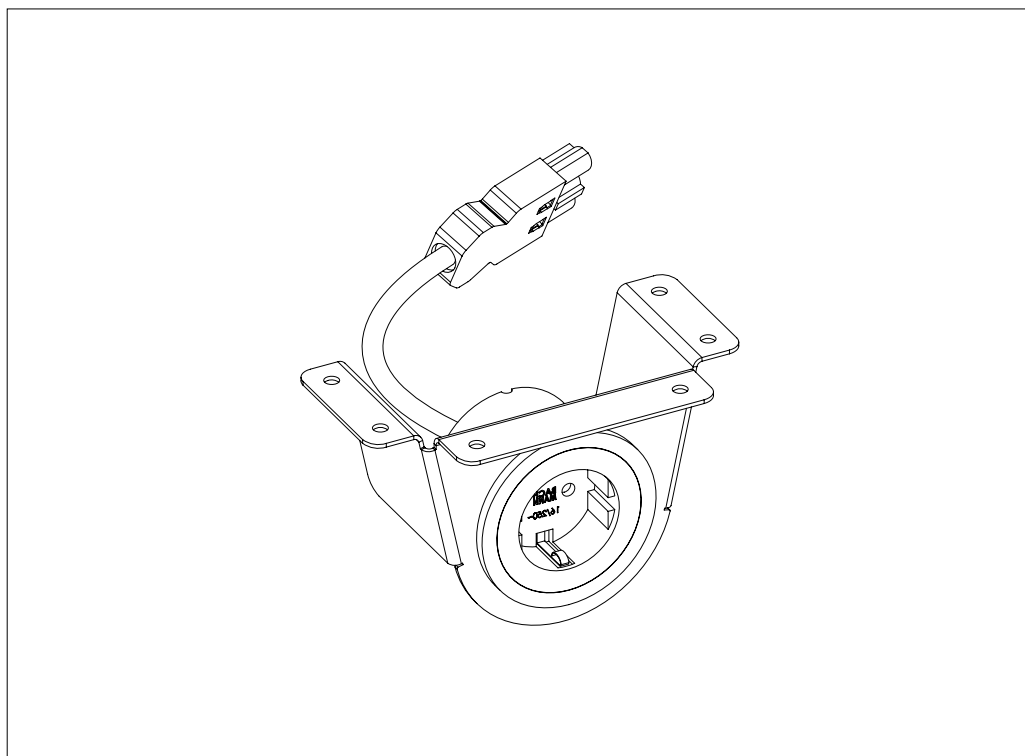


1.3 Mount the screws



Use an allen key to mount the (2x) screws M6 x 12 mm per leg.

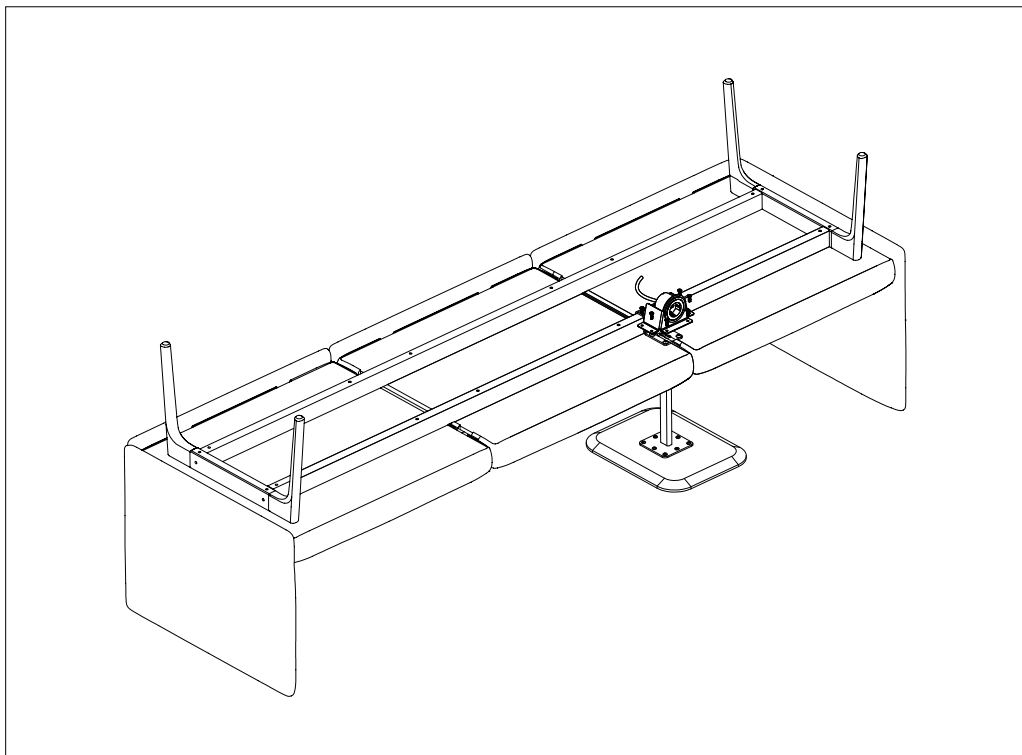
Make sure all screws are tightened correctly (5 Nm).



Proceed with step 2.1 if you ordered an electrification unit. Otherwise skip to step 2.2.

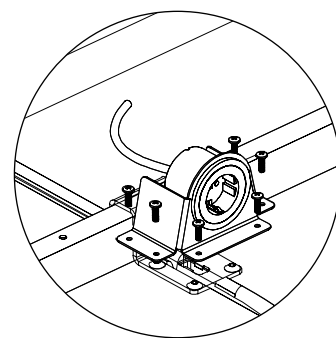
Mounting electrification unit

2.1 Place the electrification bracket

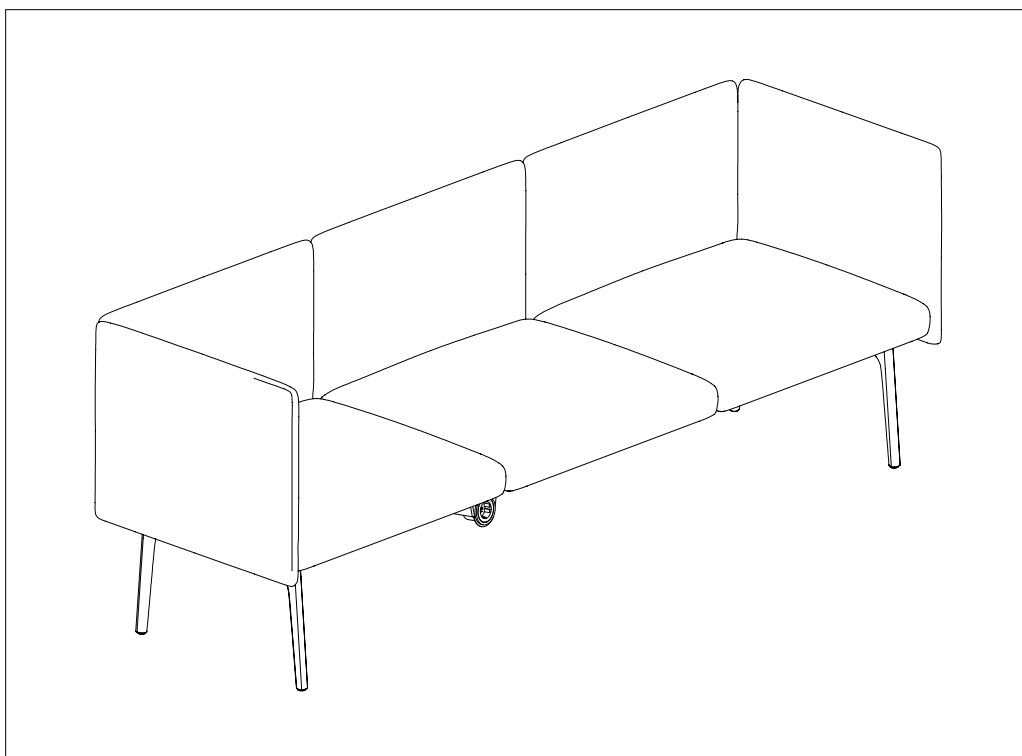


Place the electrification bracket at the desired position. Use a power drill with magnetic bit holder to attach the bracket to the frame using (6x) buttonhead screws PZ 5 x16.

Make sure all screws are tightened correctly. Pre-drilling (6x) holes of $\text{Ø}4.0$ mm makes the mounting easier.

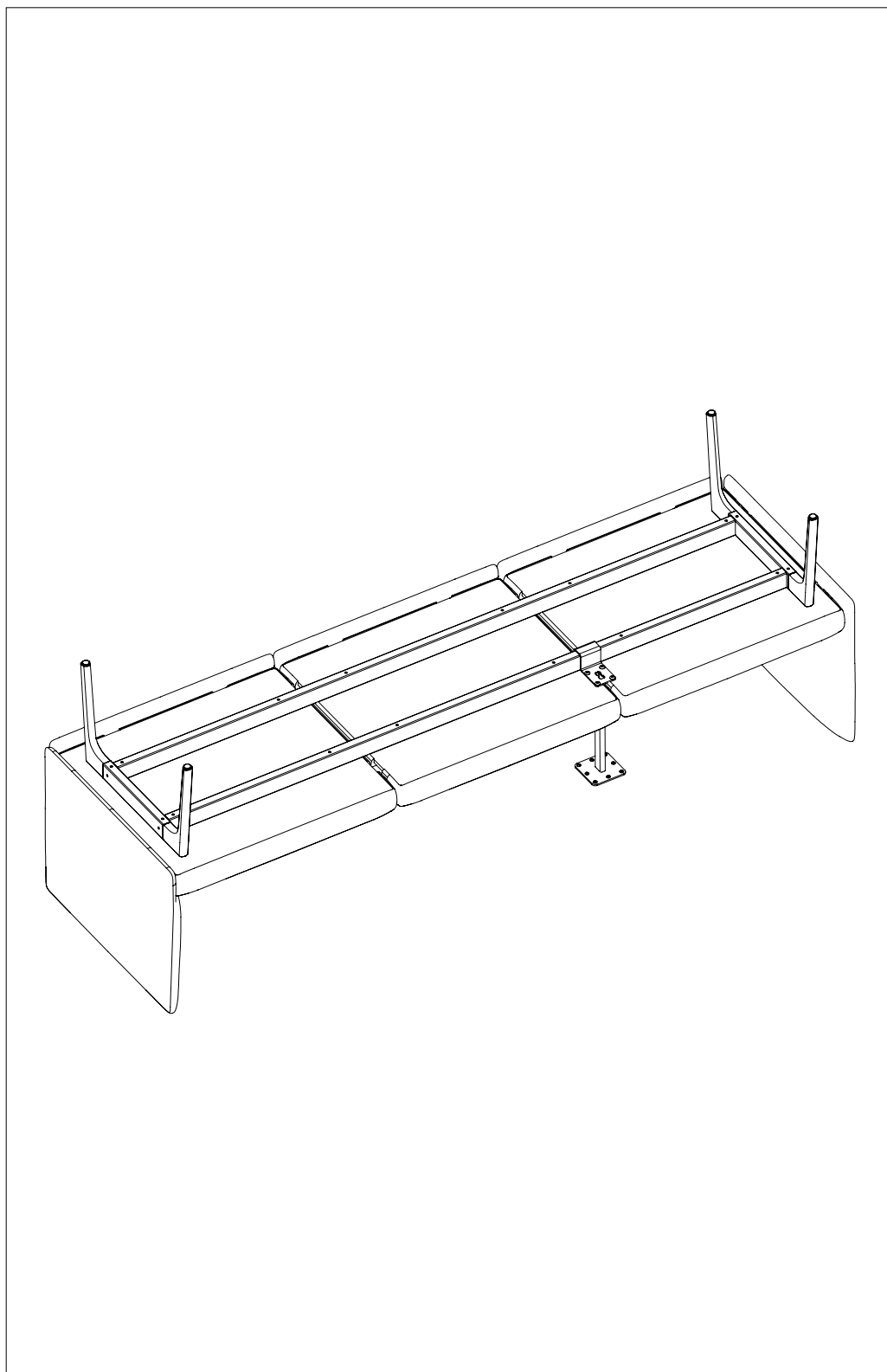


2.2 Place the Mino Sofa upright



Assembling side table

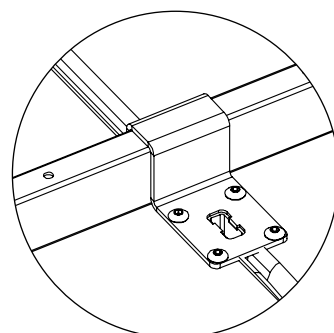
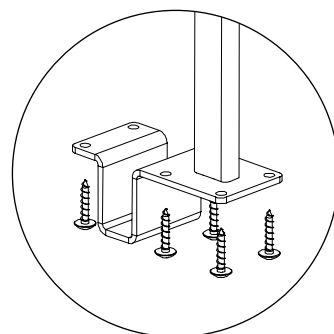
3.1 Adding the side table



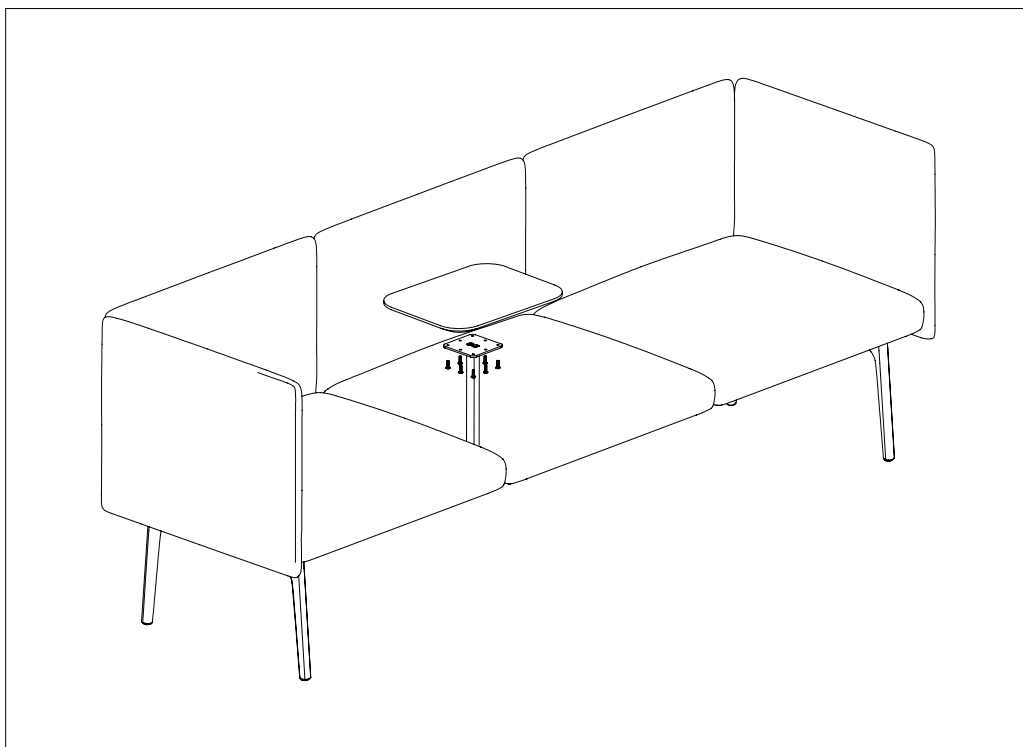
If you ordered a side table together with the sofa, the table base is already mounted on the frame. Skip to step 3.3. If you want to add a side table to the previously ordered sofa, you first need to attach the table base to the frame.

Slide the side table bracket between two elements. Be sure it's placed over the beam. Mount the (6x) buttonhead screws with torx socket TX 6 x 30 to attach table base to the frame.

Loosen the screws attaching the seat elements to have enough space for the table base.

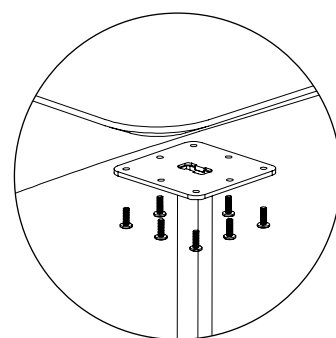


3.2 Place the tabletop

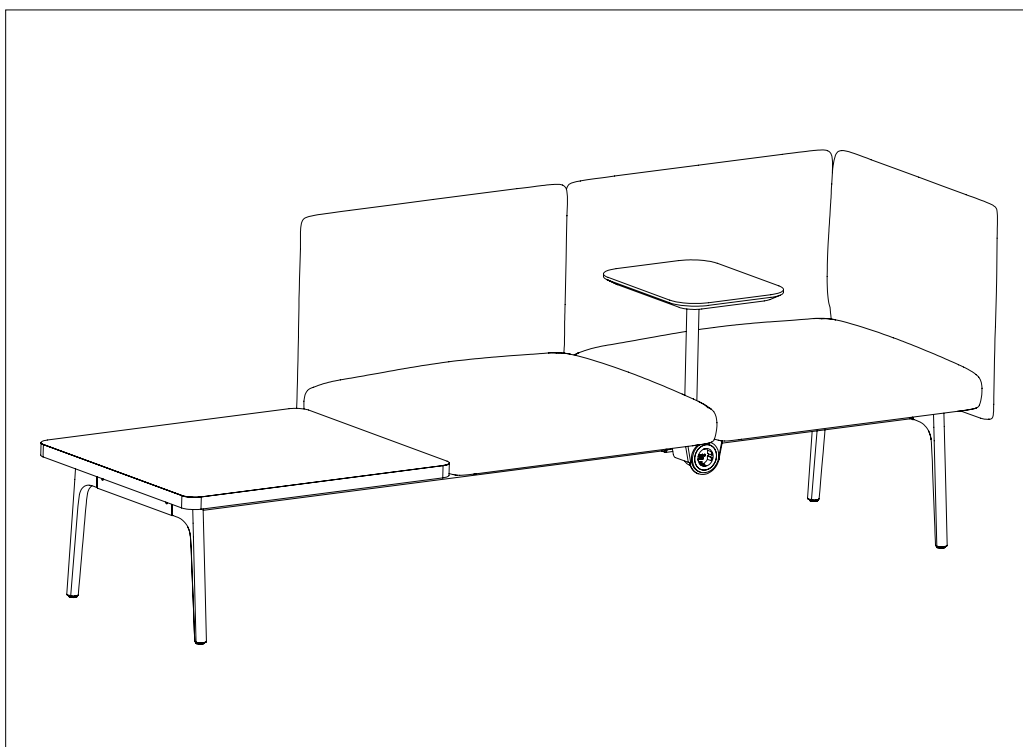


Place the tabletop on the base and attach it using (8x) button head screws PZ 5 x 16. Use a power drill with magnetic bit holder to mount the screws.

Make sure all screws are tightened correctly.



3.3 You are all done!



Find us at

A Dijkgraaf 38
6921 RL Duiven
The Netherlands

Get in touch

T +31 (0) 26 820 03 60
E sales@devorm.nl
W www.devorm.nl

Stay up to date

IG [@de_vorm](https://www.instagram.com/de_vorm)
LI [/company/de-vorm](https://www.linkedin.com/company/de-vorm)
PIN [/devorm_interiorproducts](https://www.pinterest.com/devorm_interiorproducts)