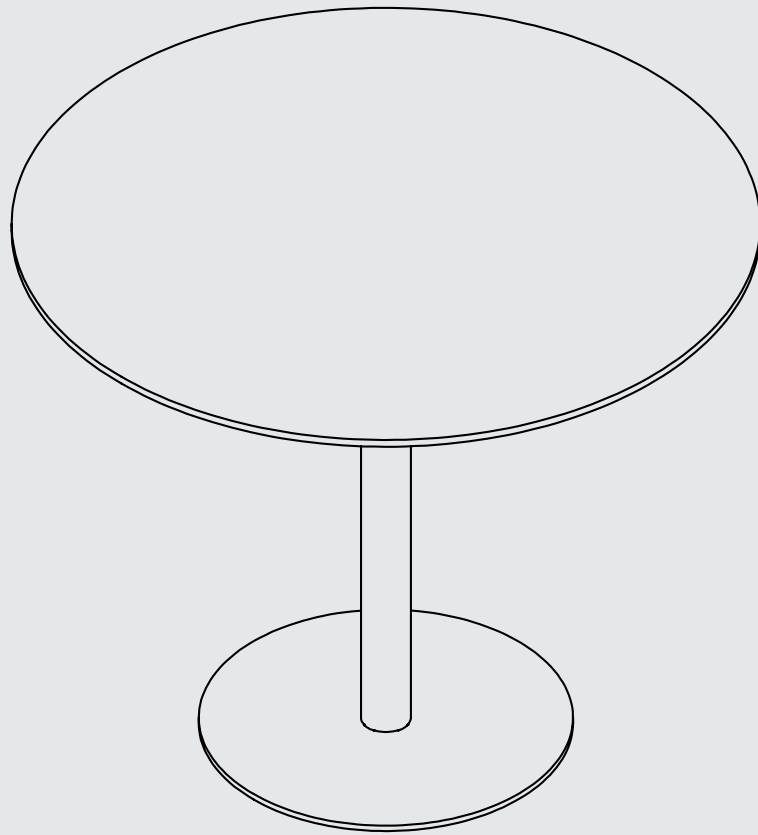
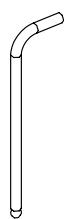


MG Round Installation Guide



DeVorm

Tools



Allen key
BZK3

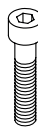


Screwdriver
PZ2

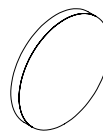
Parts required



Screws
M5x16
4x



Screws
M6x45
2x



Felt pads
4x

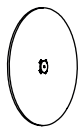


Table base
1x



Column
1x



Mounting
cross
1x

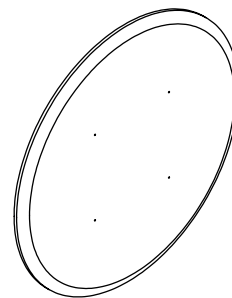
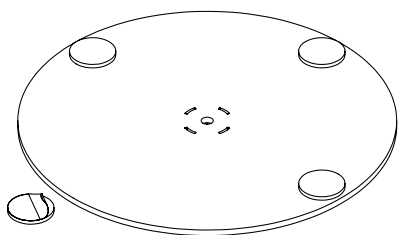
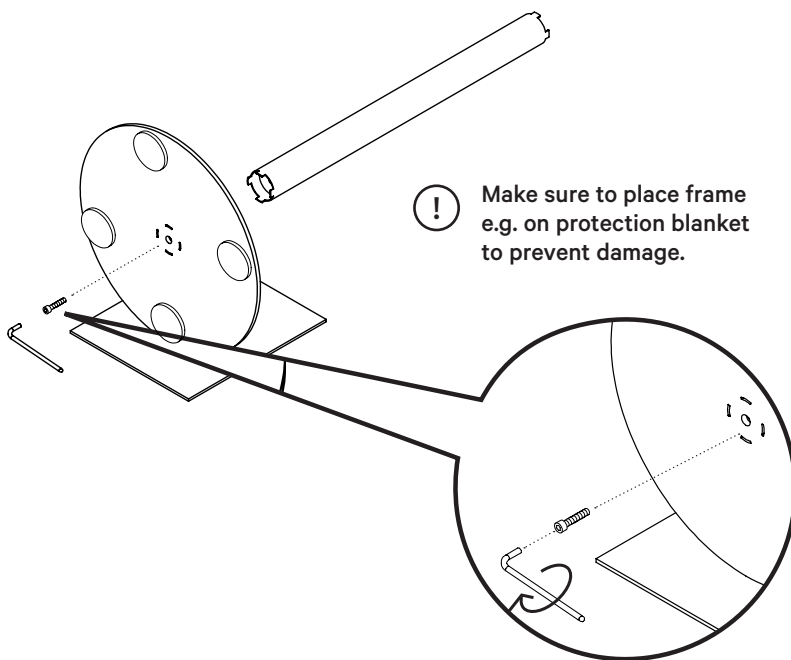


Table top
1x

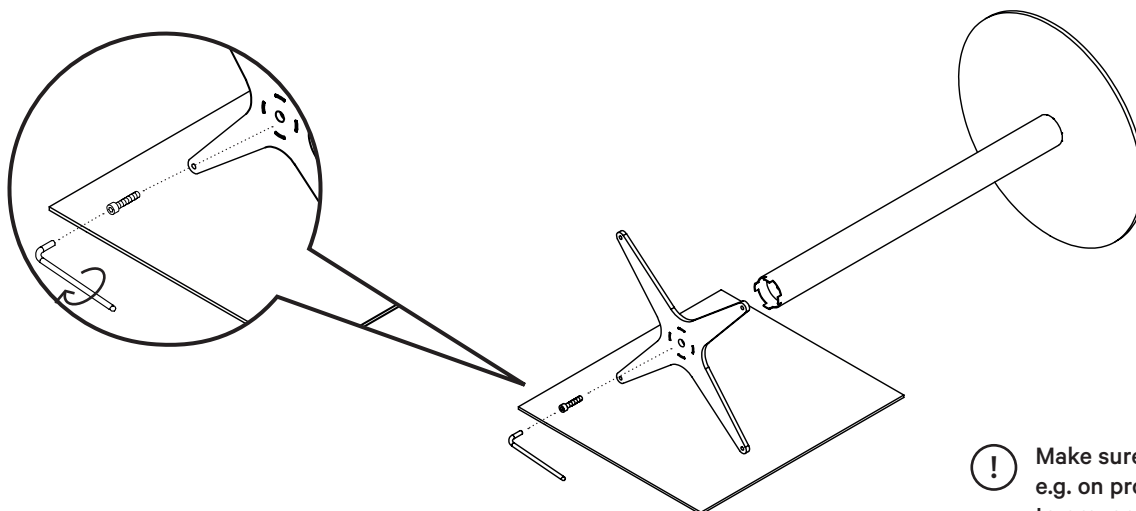
- 1 Stick the felt pads equally spread to the table base.



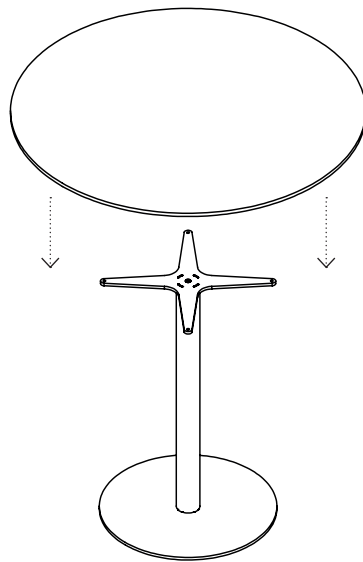
- 2 Screw the bolt through the table base into the column.



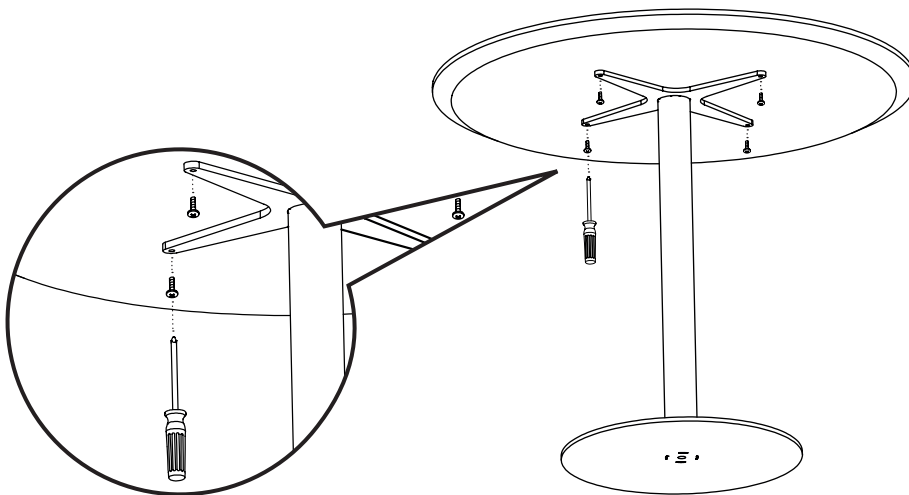
- 3 Screw the bolt through the mounting cross into the column.



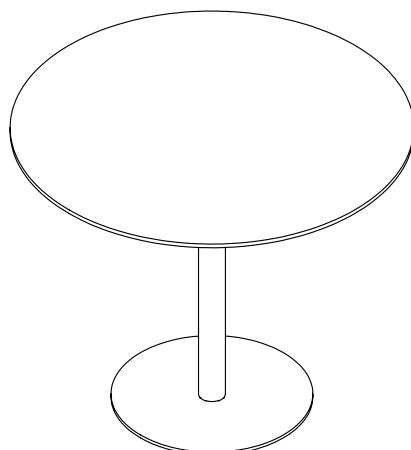
4 Place the table top onto the frame.



5 Tighten the screws when the drill holes in the table top and the mounting cross are perfectly aligned.



6 Congratulations, it's done!



We create interior products by today's standards.

De Vorm is established in a new era, we develop products by the standards of today. This means we produce efficiently, use the full lifecycle of products and eventually give them a new life.

Our emphasis lies on making a product that works, by setting a variety of conditions; it should be legible, accessible, but also environmental friendly and aesthetically perfectly in balance.

We like a product because of its functionality.

A good product makes life easier — by helping us function better throughout the day. We firmly believe that the beauty of a design lies in the sum of its functions. That is what makes it a complete product.

We continuously raise the bar.

From the very first sketches we already start searching, combining and developing new techniques to find new possibilities to innovate. Our design process is infused with technical development; techniques result in aesthetic features and the other way round.