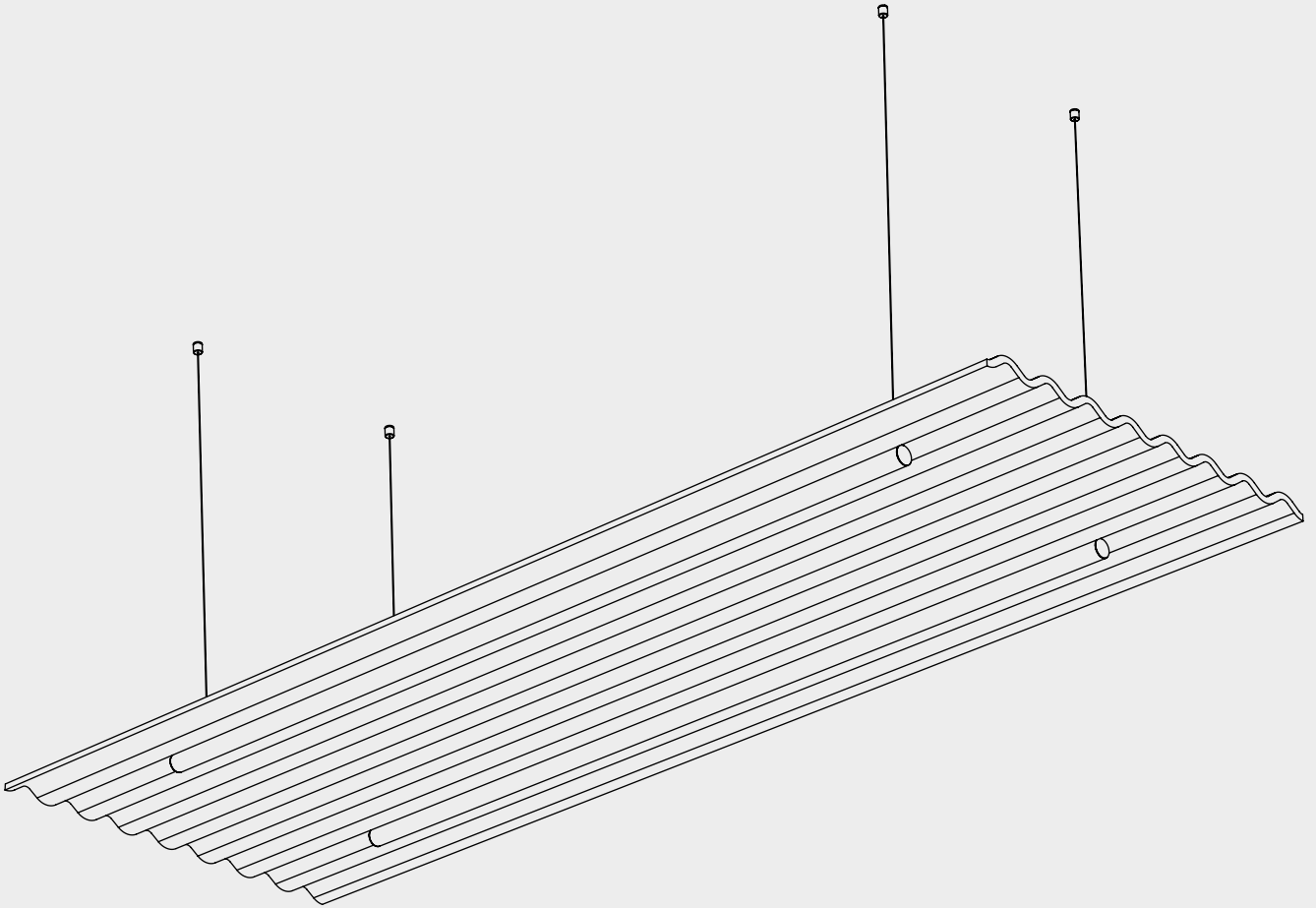
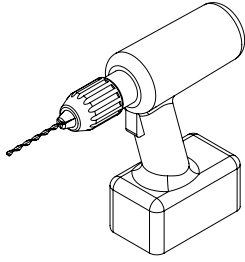


Mute Flow Floating Installation Guide



DeVorm

Tools



Drill
Ø6 mm

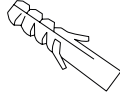


Allen Key
BZK 4



Flathead + cross
Screwdriver

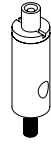
Parts required



Wall plug
Ø6x30mm
4x



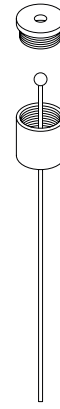
Screws
PZ 4X40 mm
4x



Adjuster
4x



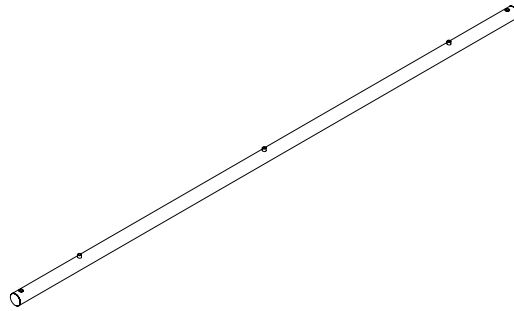
Screws
M6X16
6x



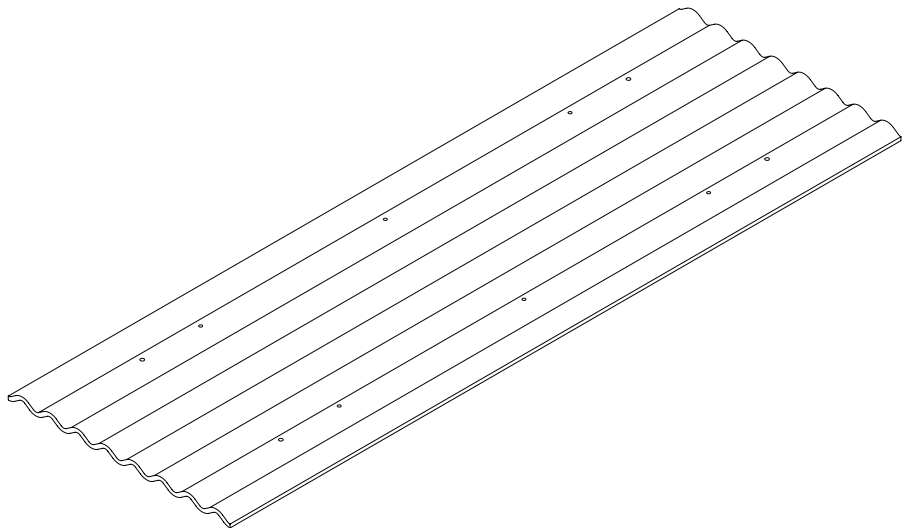
Ceiling mount
Ø11x14 mm
4x



Countersunk
washer
M6
6x

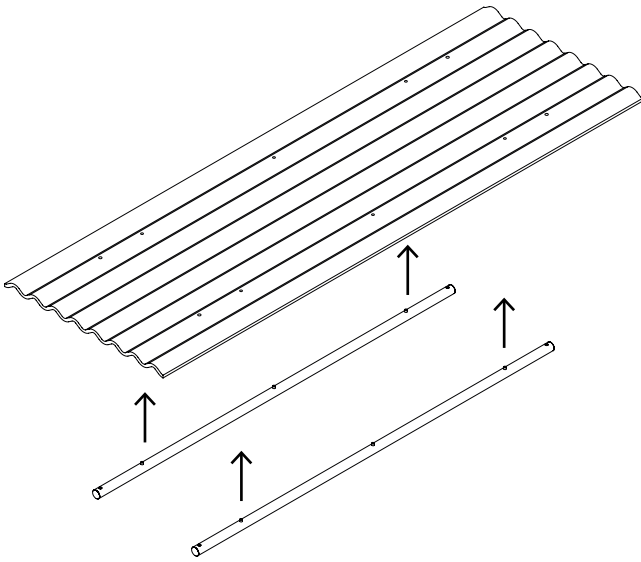


Tubes
2x

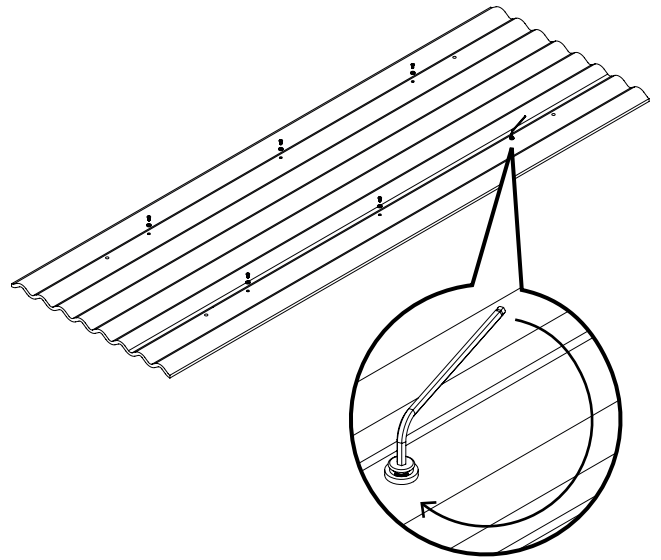


Mute Flow Floating Panel

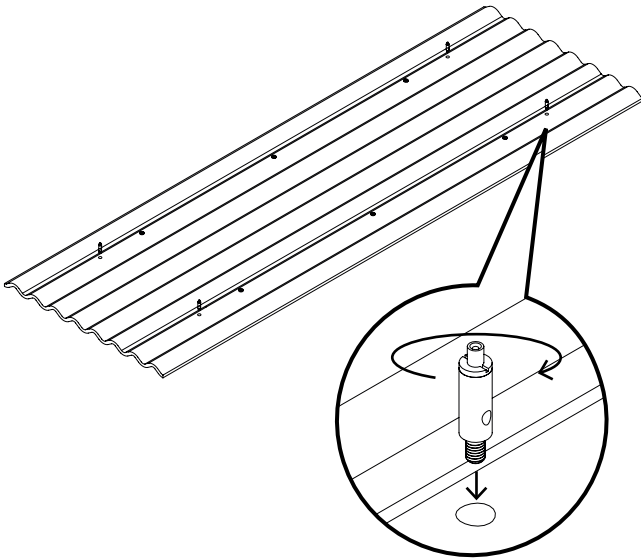
1 Align the holes in the tube with the holes in the panel



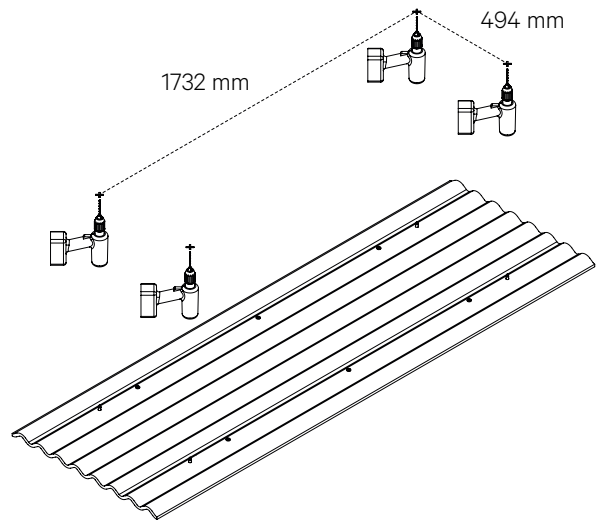
2 Mount lighttubes on the panel with the screws together with the Countersunk washer



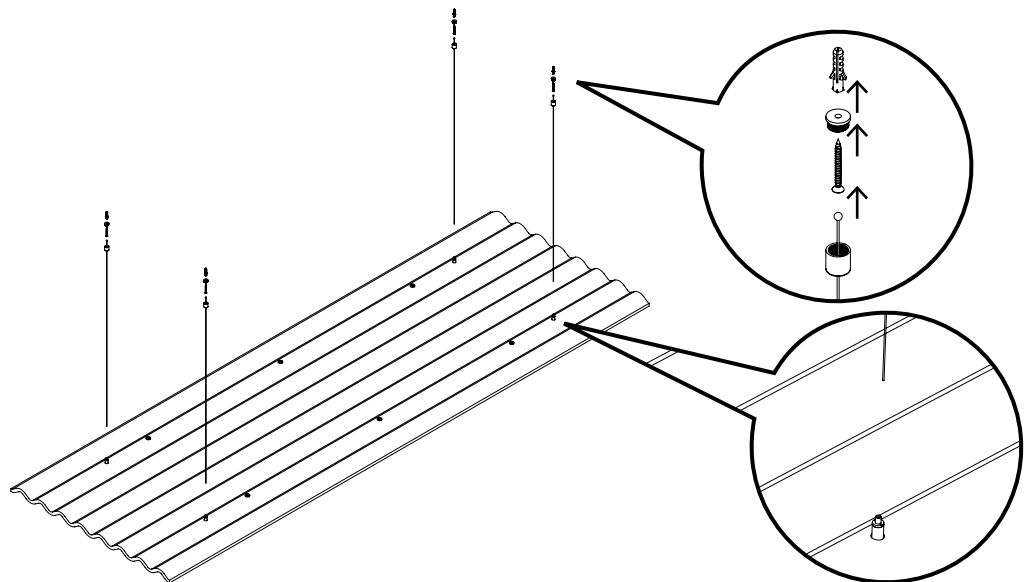
3 Turn the adjusters through the Mute panel in the tube



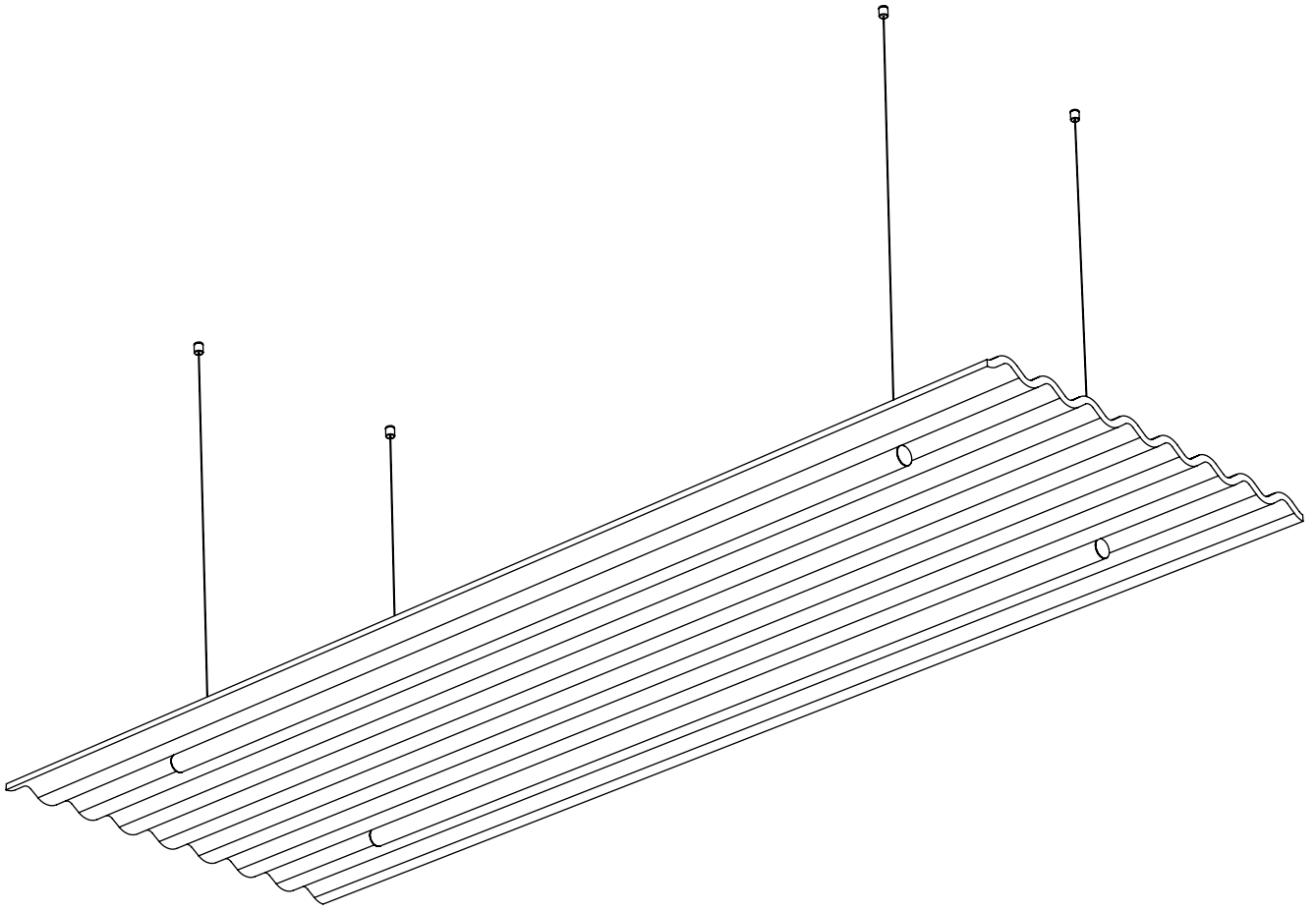
4 Drill holes in the ceiling



5 Install the ceiling cap and connect the steel wires to the holes in the ceiling



6 Congratulations, it's done!



We create interior products by today's standards.

De Vorm is established in a new era, we develop products by the standards of today. This means we produce efficiently, use the full lifecycle of products and eventually give them a new life.

Our emphasis lies on making a product that works, by setting a variety of conditions; it should be legible, accessible, but also environmental friendly and aesthetically perfectly in balance.

We like a product because of its functionality.

A good product makes life easier — by helping us function better throughout the day. We firmly believe that the beauty of a design lies in the sum of its functions. That is what makes it a complete product.

We continuously raise the bar.

From the very first sketches we already start searching, combining and developing new techniques to find new possibilities to innovate. Our design process is infused with technical development; techniques result in aesthetic features and the other way round.

Leemansweg 45
6827 BX Arnhem
The Netherlands

T +31(0) 268 200 360
E info@devorm.nl
W www.devorm.nl