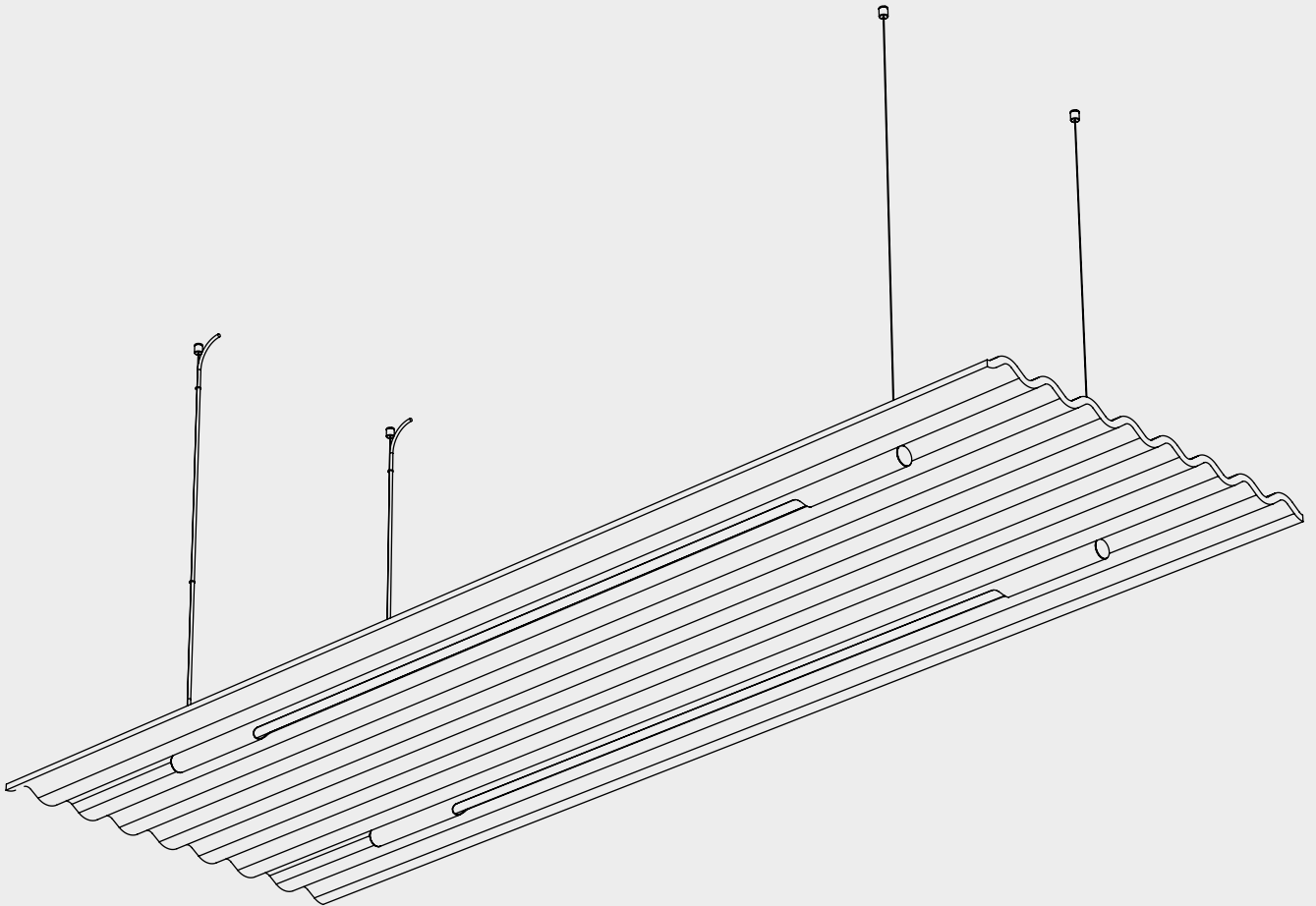
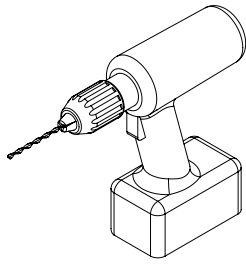


# Mute Flow Floating Lamp Installation Guide



DeVorm

Tools



Drill  
Ø6 mm

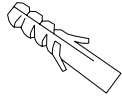


Allen Key  
BZK 4



Flathead  
Screwdriver

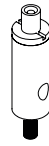
Parts required



Wall plug  
Ø6x30mm  
4x



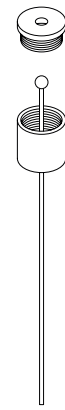
Screws  
PZ 4X35 mm  
4x



Adjuster  
4x



Screws  
M6X16  
6x



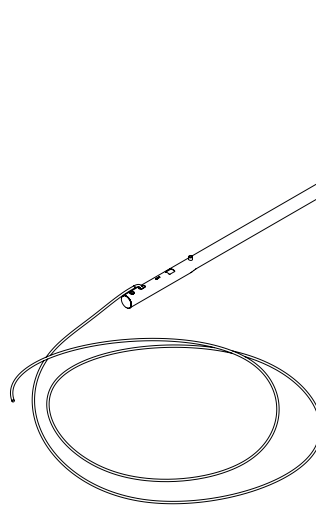
Ceiling mount  
Ø11x14 mm  
4x



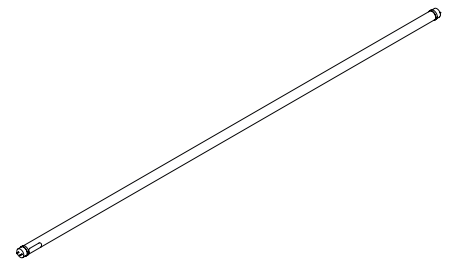
Countersunk  
washer  
M6  
6x



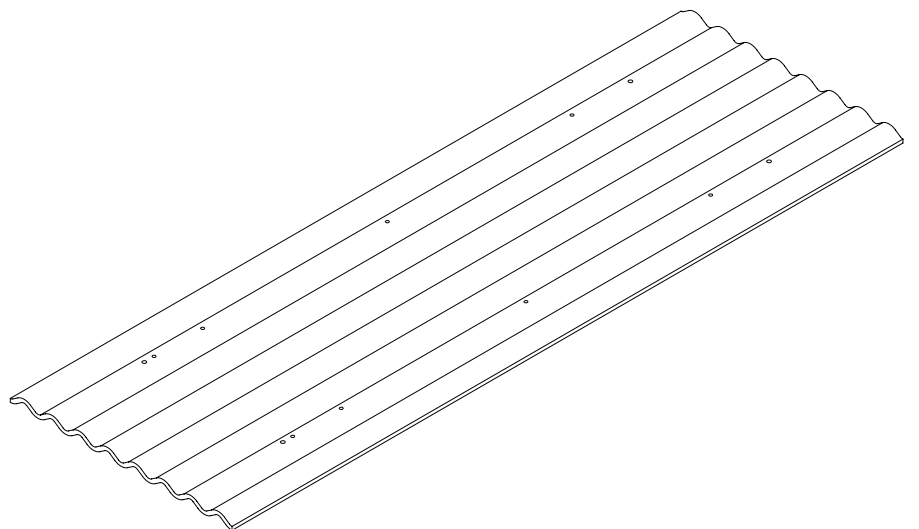
O-ring  
8x



Lighttubes  
2x

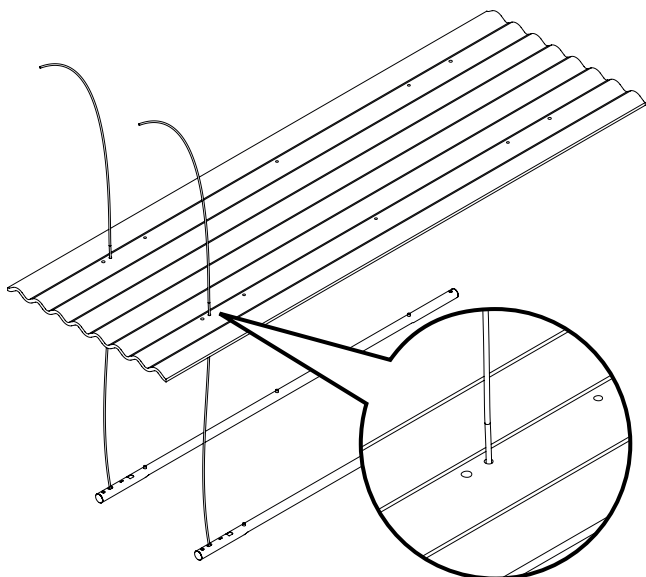


LED tubes  
2x

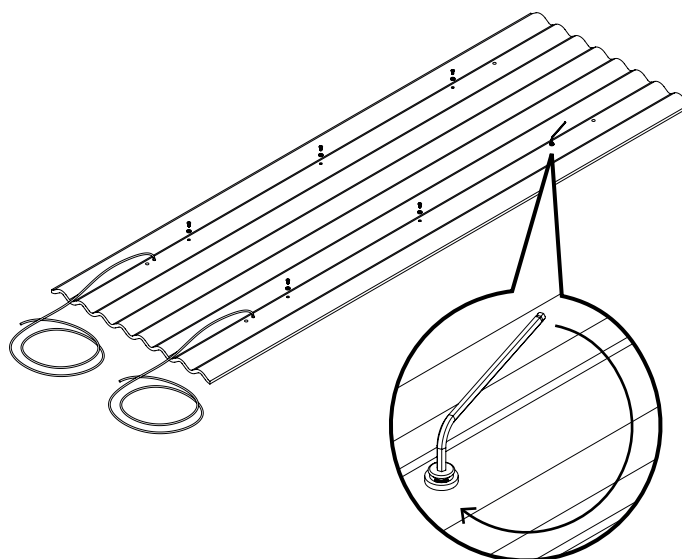


Mute Flow Floating Panel

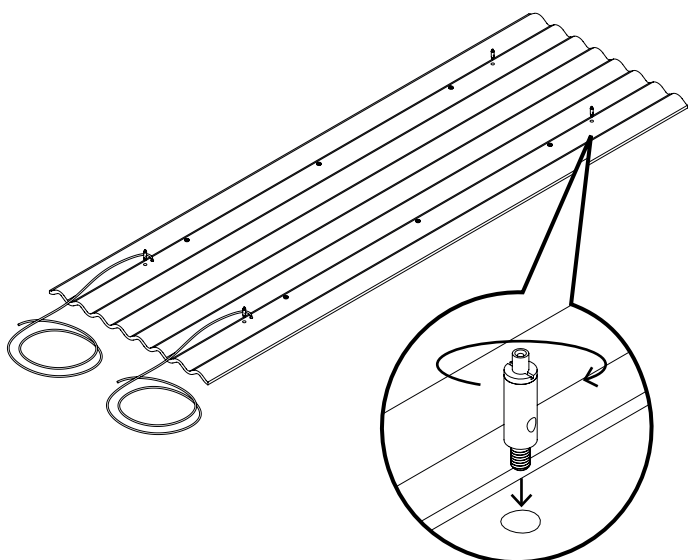
1 Run the wiring through the Mute panel



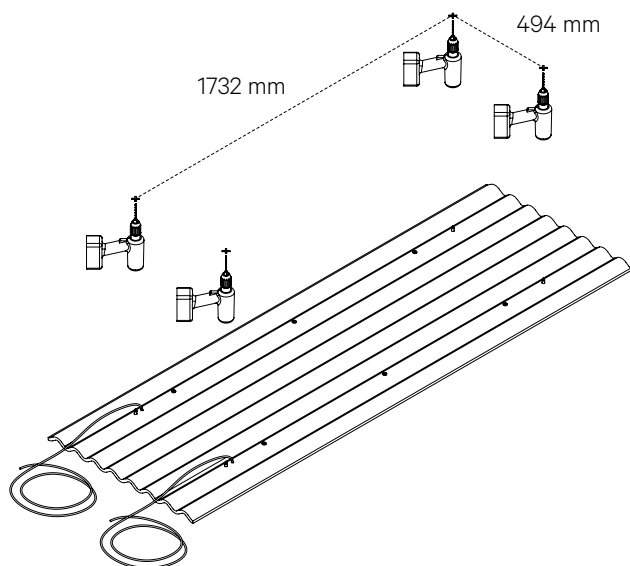
2 Mount lighttubes on the panel with the screws



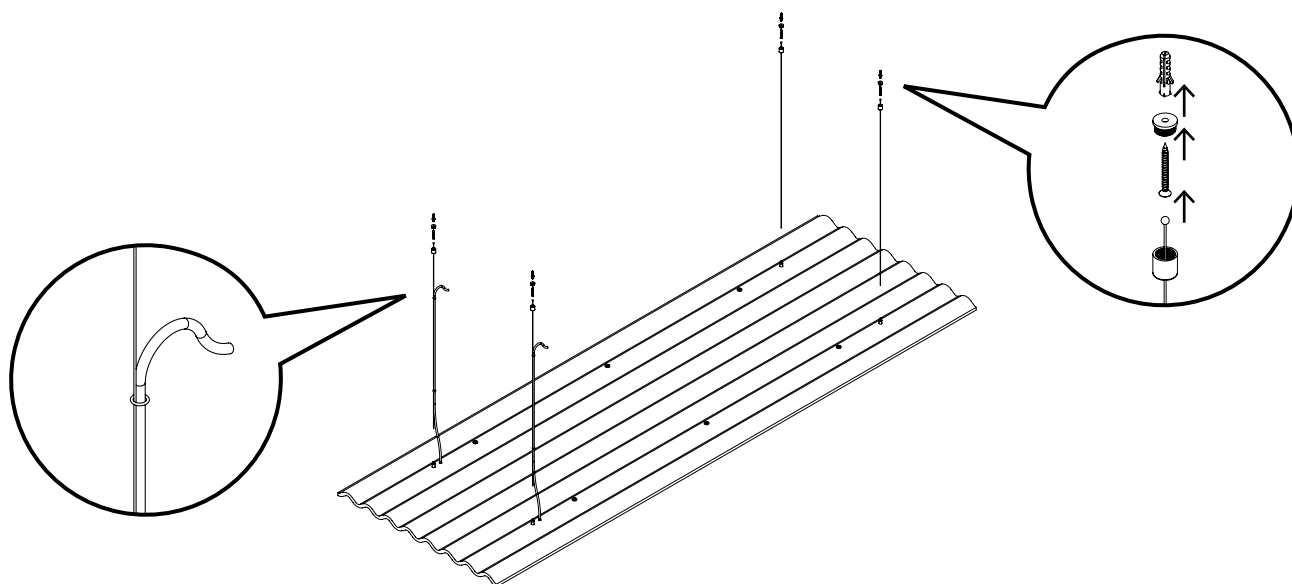
3 Turn the adjuster in the Mute panel



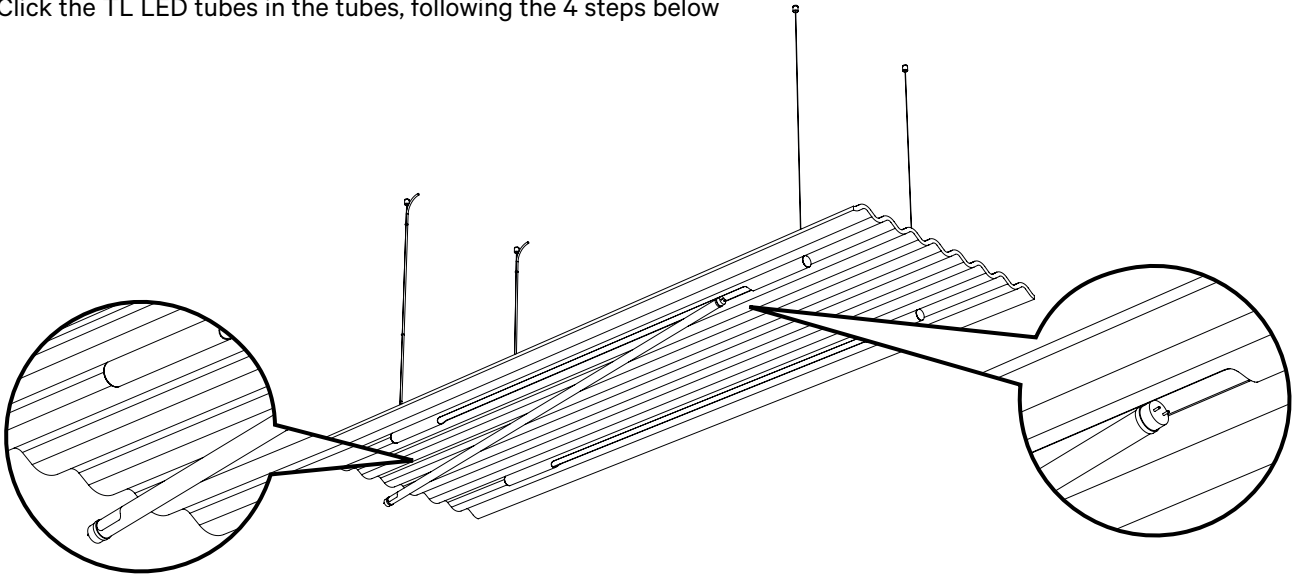
4 Drill holes in the ceiling



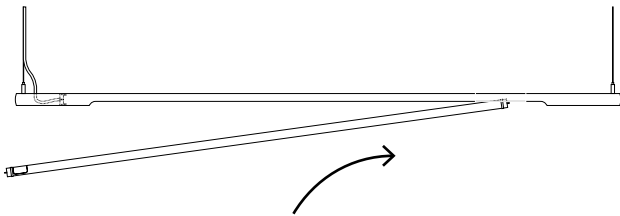
5 Install the ceiling cap and connect the steel wires to the holes in the ceiling



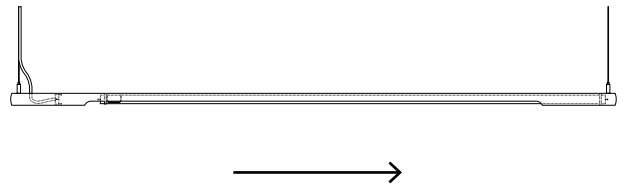
6 Click the TL LED tubes in the tubes, following the 4 steps below



7 Slide the light diagonally into the LED tube



8 Slide the light horizontally as far as possible into the tube



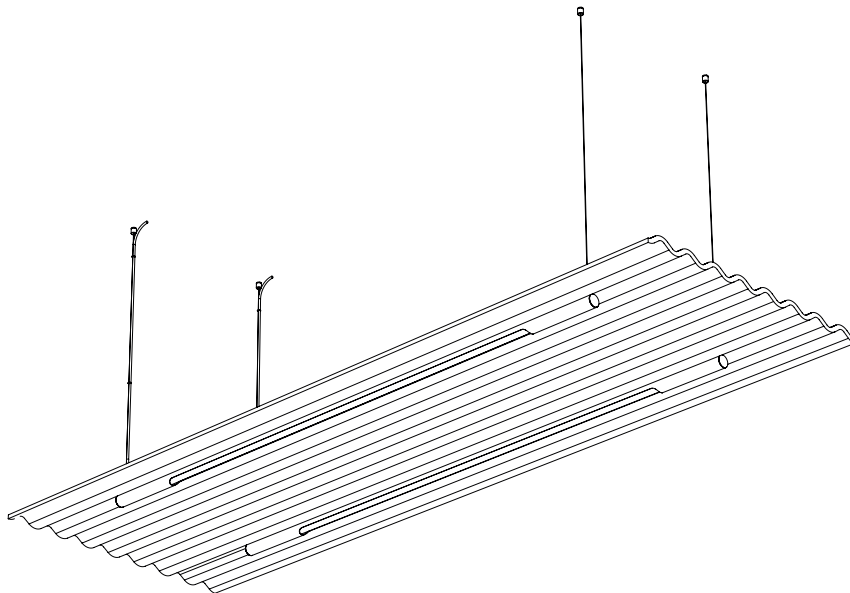
9 Now slide the light to the left..



10 ..until you hear a 'click'



11 Congratulations, it's done!



## We create interior products by today's standards.

De Vorm is established in a new era, we develop products by the standards of today. This means we produce efficiently, use the full lifecycle of products and eventually give them a new life.

Our emphasis lies on making a product that works, by setting a variety of conditions; it should be legible, accessible, but also environmental friendly and aesthetically perfectly in balance.

## We like a product because of its functionality.

A good product makes life easier — by helping us function better throughout the day. We firmly believe that the beauty of a design lies in the sum of its functions. That is what makes it a complete product.

## We continuously raise the bar.

From the very first sketches we already start searching, combining and developing new techniques to find new possibilities to innovate. Our design process is infused with technical development; techniques result in aesthetic features and the other way round.

Leemansweg 45  
6827 BX Arnhem  
The Netherlands

T +31(0) 268 200 360  
E [info@devorm.nl](mailto:info@devorm.nl)  
W [www.devorm.nl](http://www.devorm.nl)