

DeVorm

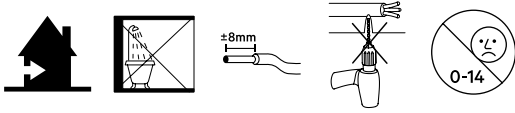
Mute Beam Direct

Installation guide



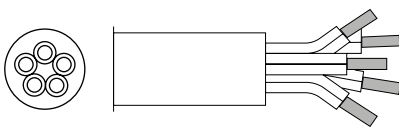
Introduction

- Follow the instructions for a safe installation.
- Make sure that the power supply has been turned off before installing or cleaning the product.
- Maintain interior lighting with a dry cloth or brush. Do not use alcohol or any other solvents to clean the product. Keep all electrical components dry. Make sure the power is switched off before cleaning this product.



Driver power connection

- 5 Pole wire - DALI dimming



Brown L
Blue N
Yellow/green Ground
Red Dali+
White Dali-

Design

De Vorm

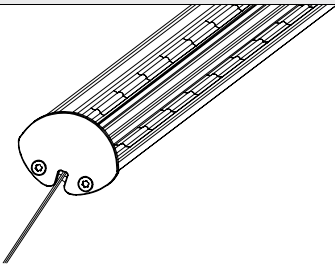
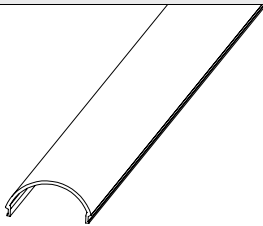

About

Mute Beam is a wall LED fixture designed to integrate seamlessly with the Mute PET Felt Acoustic Panels. Available in direct or indirect lighting and 12 RAL colours, it matches the 239 cm panel height. Made from fully recyclable extruded aluminium with a PMMA diffuser, Mute Beam combines durable, sustainable materials with a refined design that enhances both the function and visual rhythm of the Mute Series.

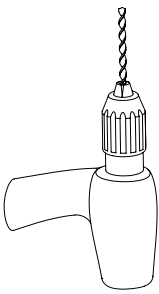
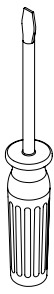
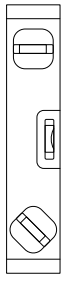
Specifications

LED module	COB LED strips
Voltage	LED: 24V
	Driver: 220V-240V
Power	Max. 10 w/m
Colour temperature	3000K
CRI	>80
Operating temperature	-20° - +50°
LED driver	DALI driver included
Diffuser material	PMMA
IP rating	IP20
Dimmable	yes, DALI
Lumen output max	To be confirmed
Lumen output setted	To be confirmed

Parts required

LED profile incl cable	Diffuser 1x	Driver 60W 1x
 A cylindrical LED profile with a cable extending from one end. The profile has a textured surface and two small circular features near the cable connection.	 A long, thin, curved diffuser component with a semi-circular end.	 A small, rectangular electronic driver component with a multi-pin connector on one end.

Tools required

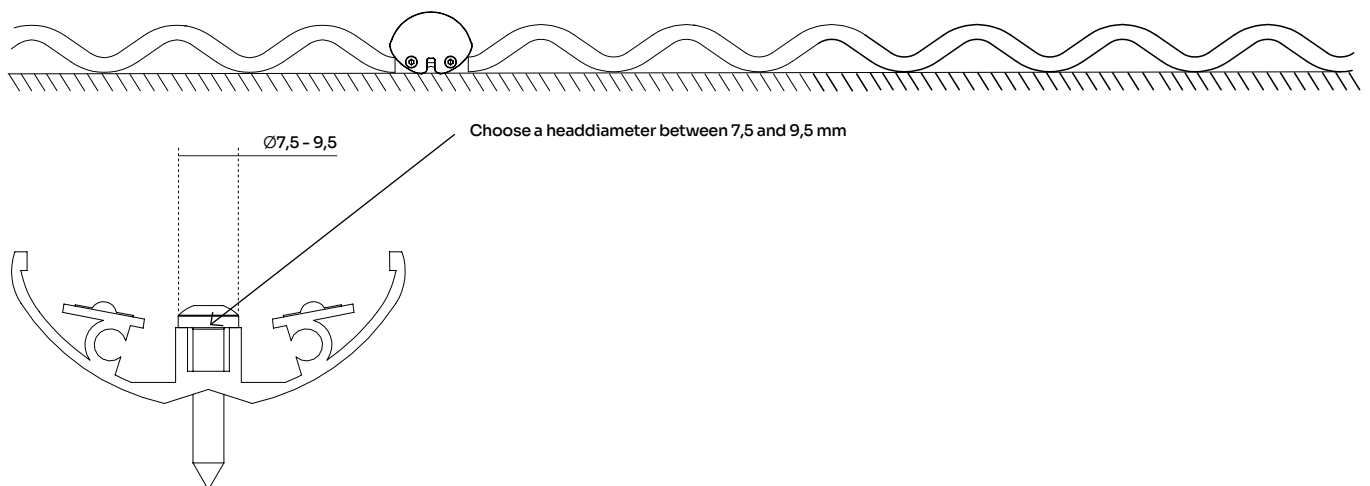
Drill	Flathead screwdriver	Level
 A hand-held power drill with a drill bit inserted.	 A flathead screwdriver with a long handle and a flat tip.	 A spirit level with a vertical scale and a bubble level.

Not included

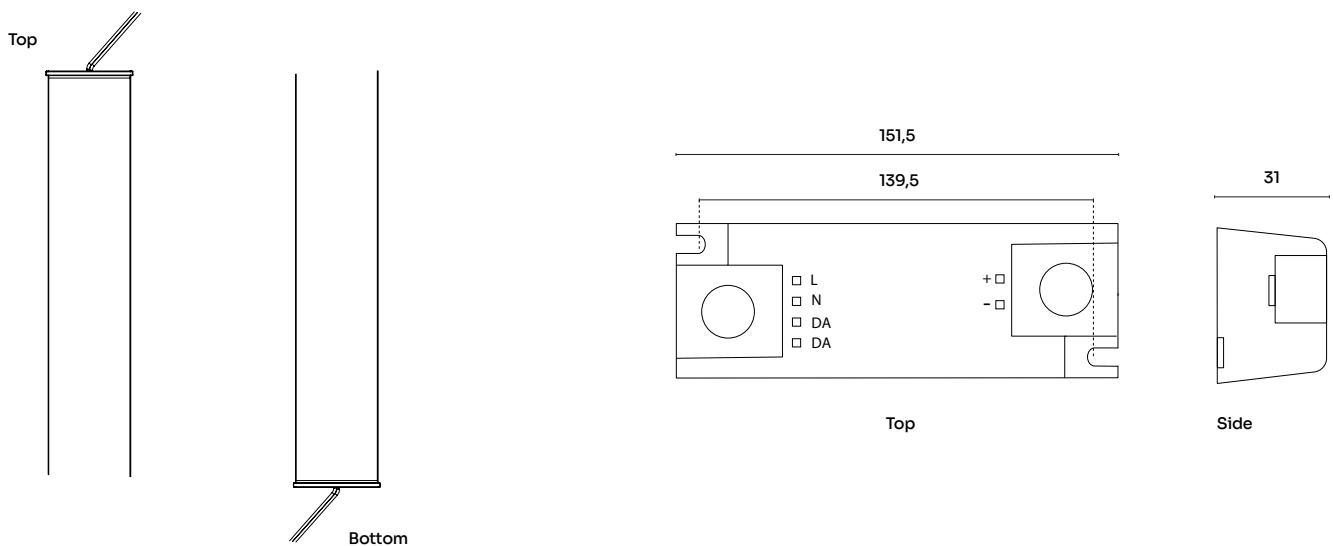
Screws
Wall plugs

Preparation

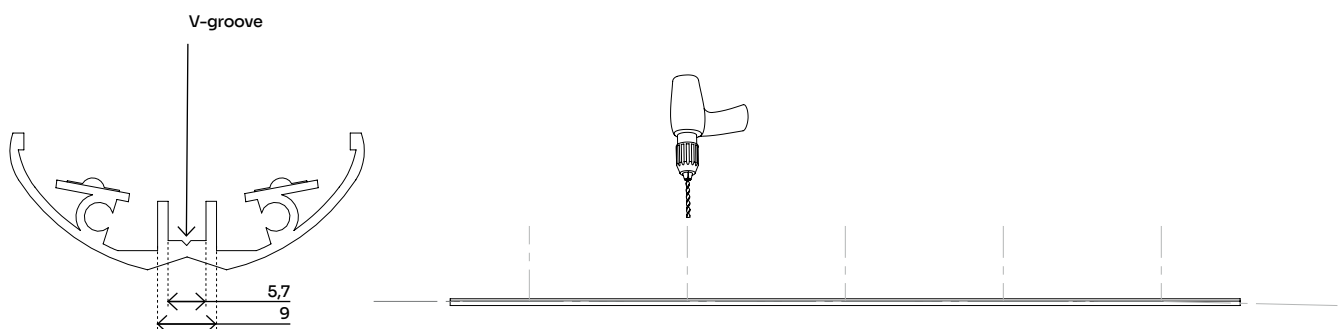
- 1 Check the wall and determine which fixings you need for your wall type.



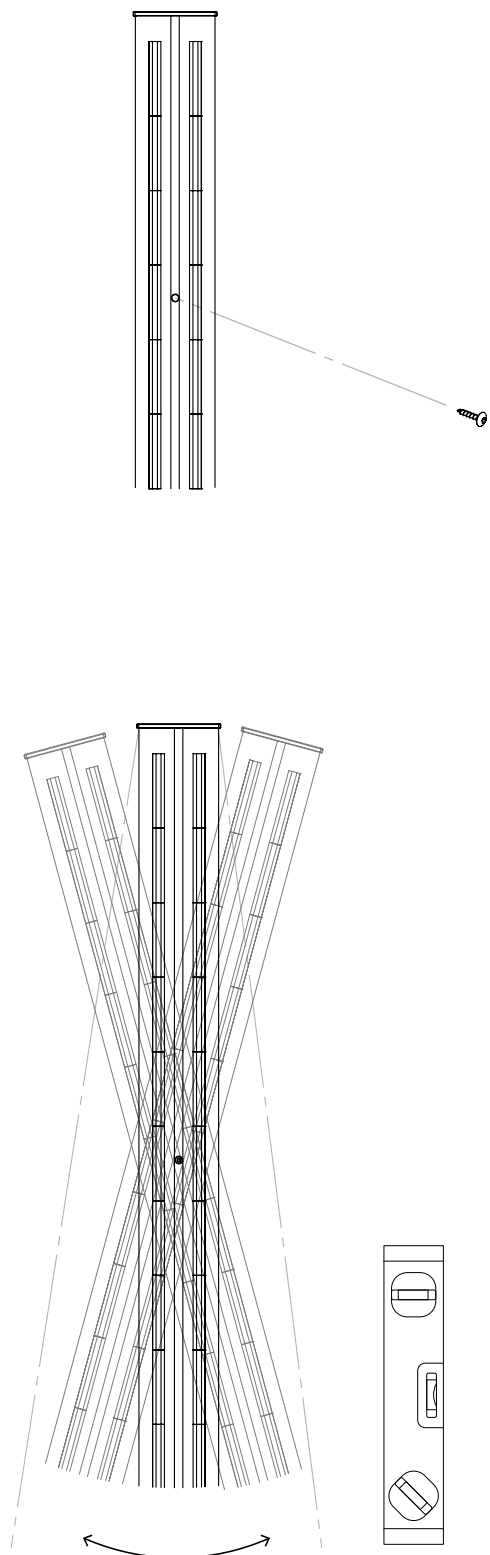
- 2 Decide if you'd prefer your driver at the top or at the bottom of the Mute Beam.



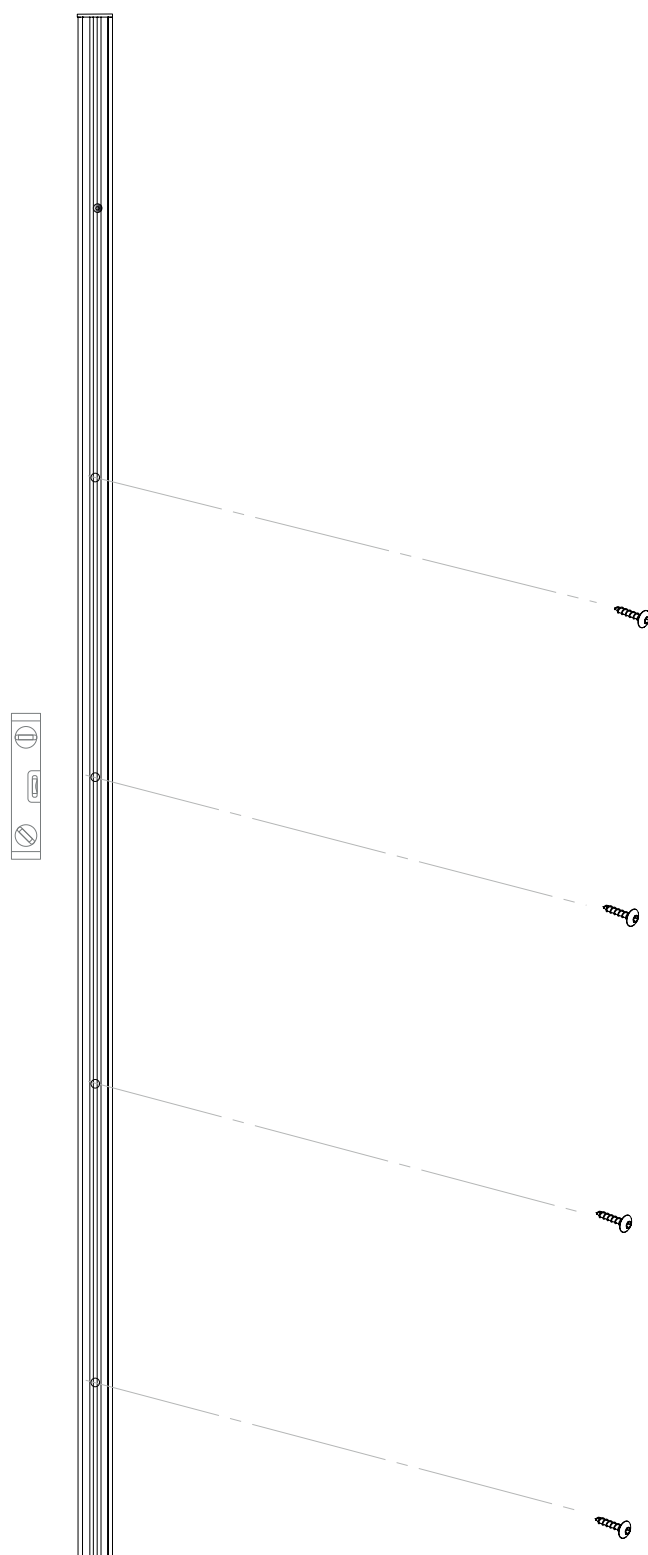
- 3 Drill several holes in the LED profile, using the V-groove in the middle as a guide to stay centred.



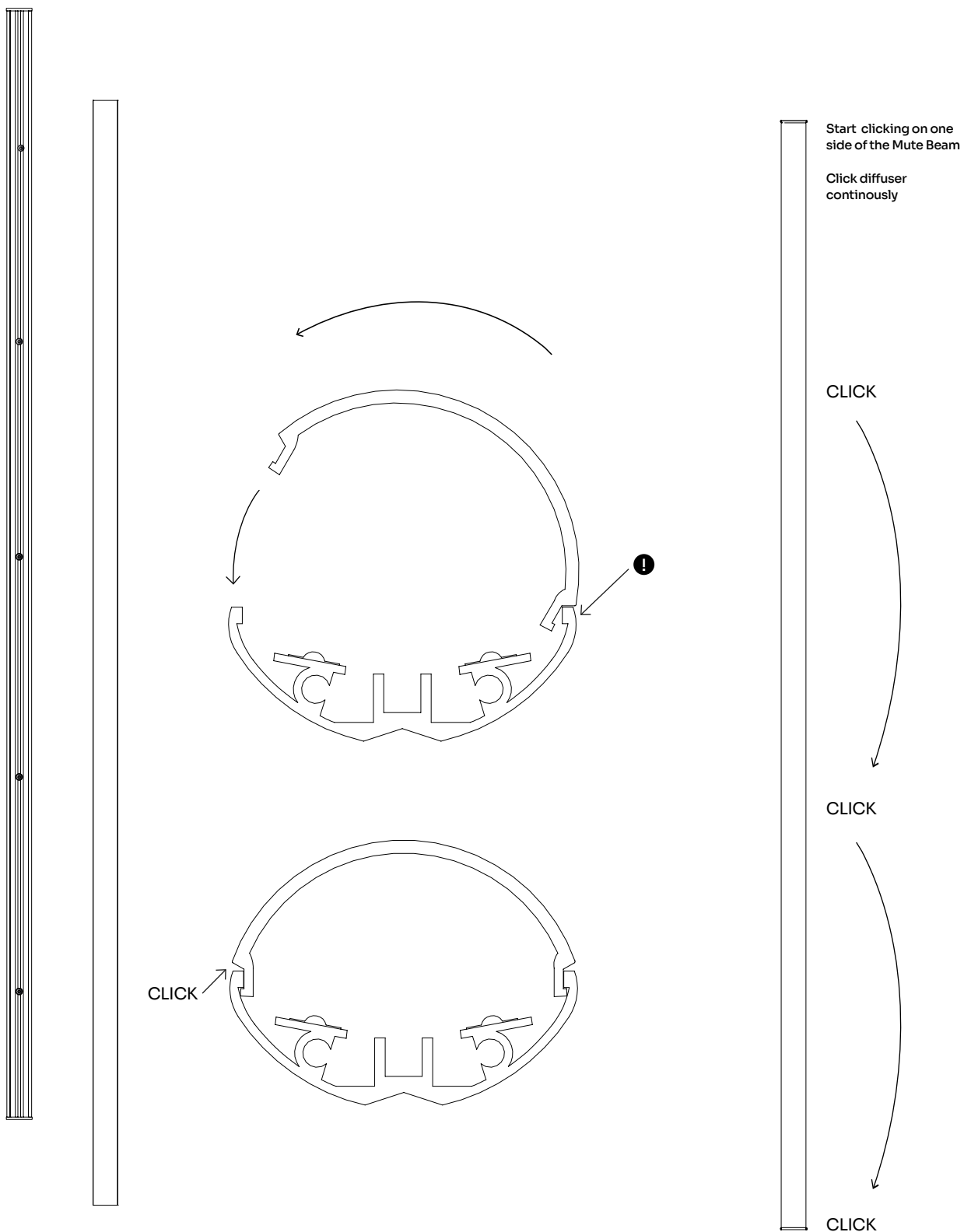
4 Secure the LED profile to the wall with the top screw. Use a spirit level to position the LED profile so its perfectly level.



5 Once the profile is level, fasten the remaining screws.

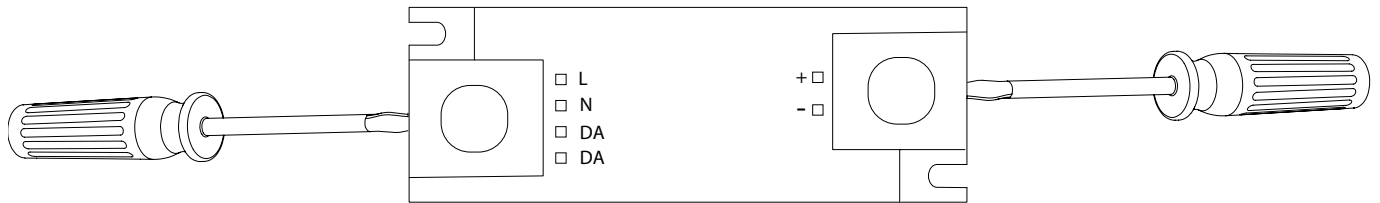


- 6** - Place the diffuser on one side inside the LED profile
- Begin installation from one end
- Press firmly until diffuser clicks
- Press along the entire length until it securely clicks into place and is completely fixed in the LED profile

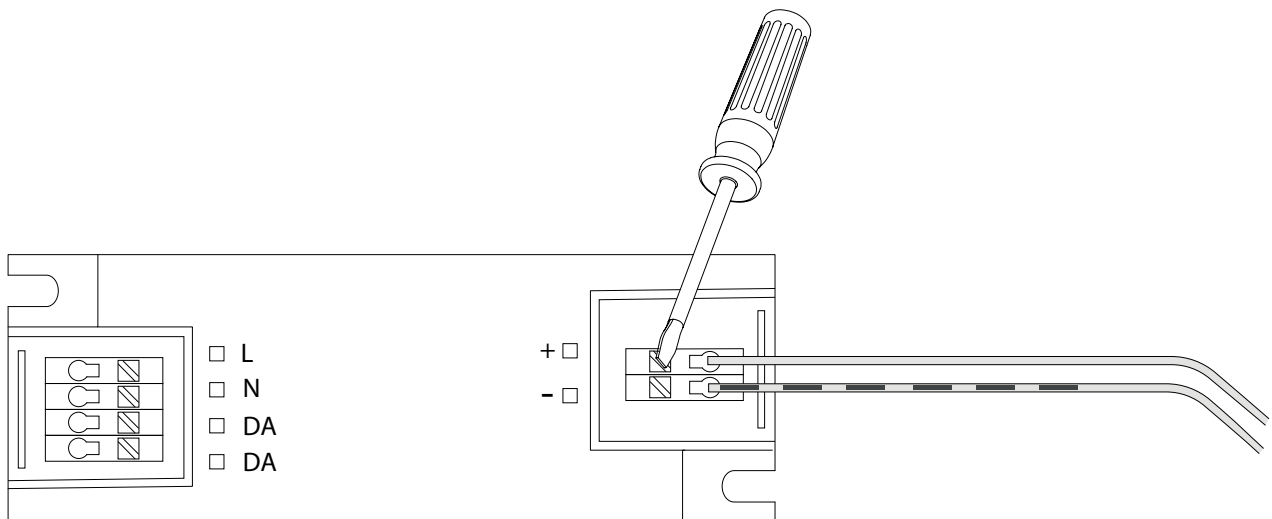
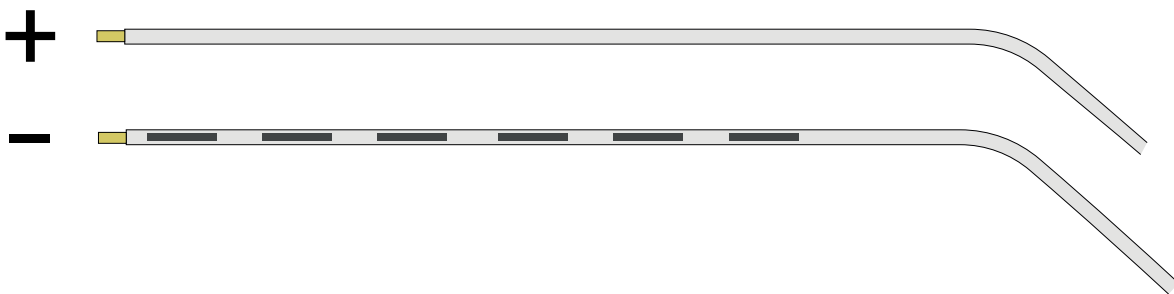


Connect the driver

- 7 - Make sure the power is switched off.
 - Check the manual of the driver for specifics
 - Use a flathead screwdriver to loosen the caps



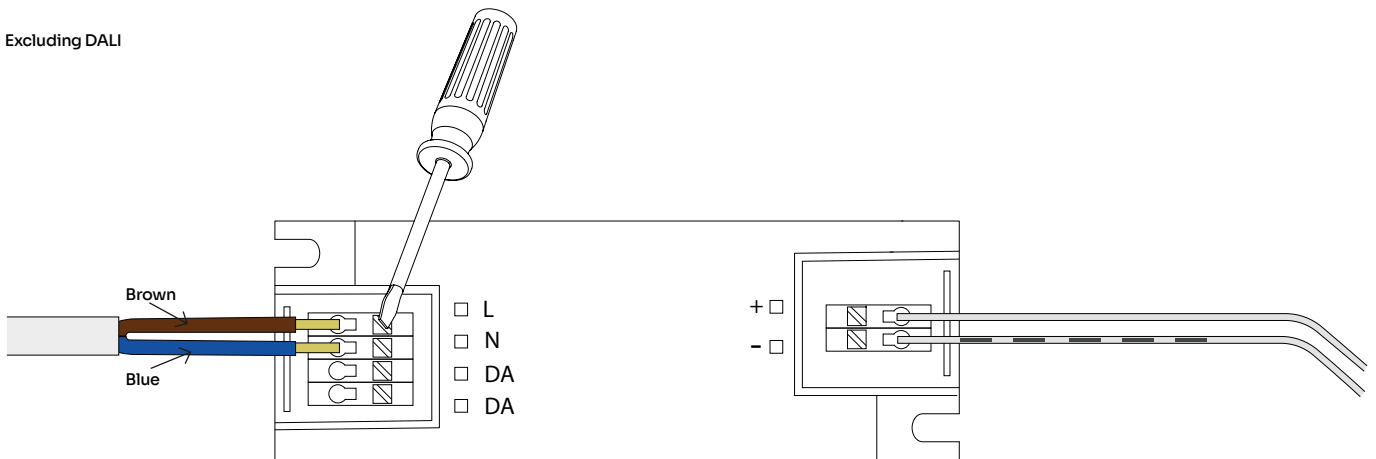
- 8 Connect the LED cables by pushing a small flathead screwdriver into the push-in terminals.



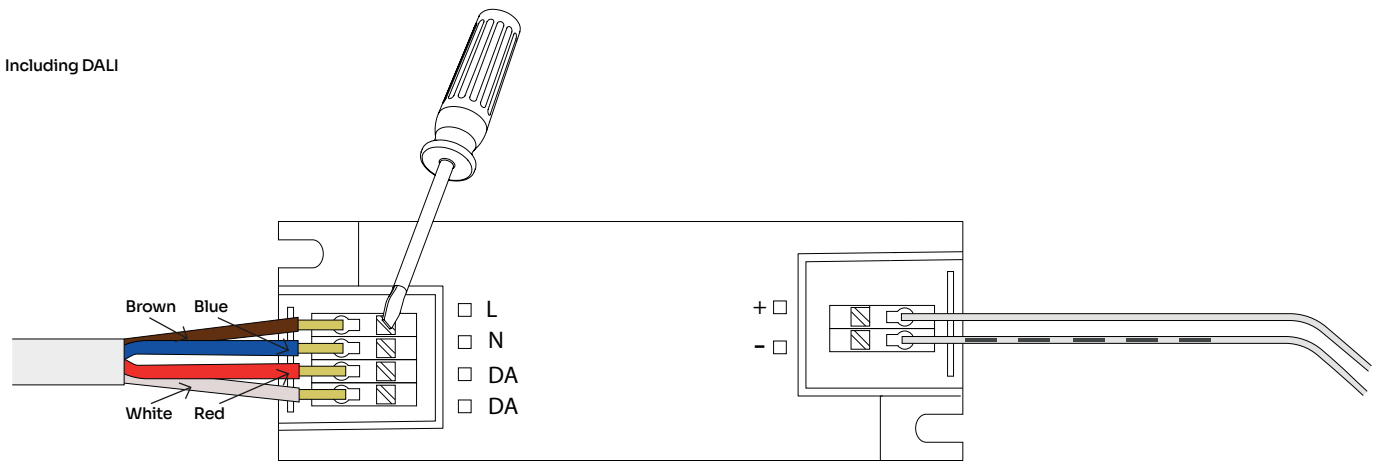
Connect the driver

9 Connect the powercables by pushing a small flathead screwdriver into the push-in terminals.

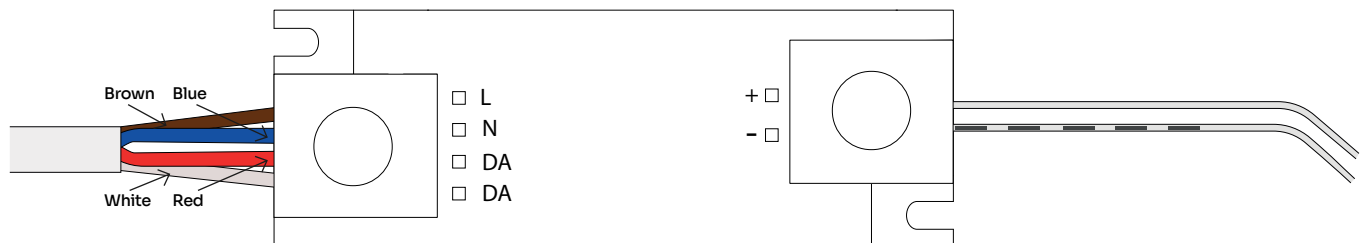
Excluding DALI



Including DALI

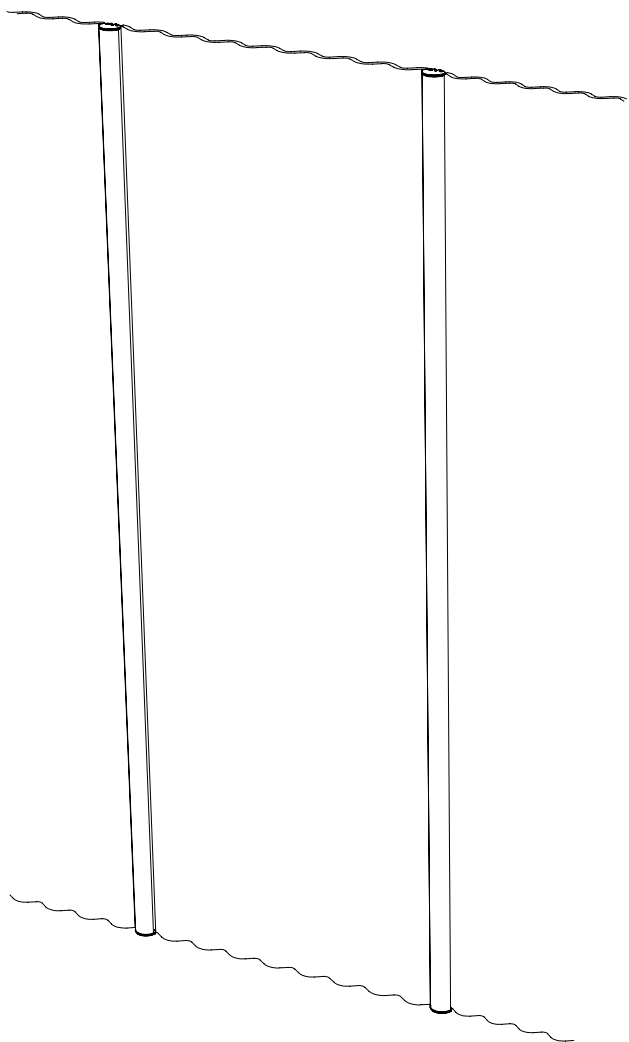
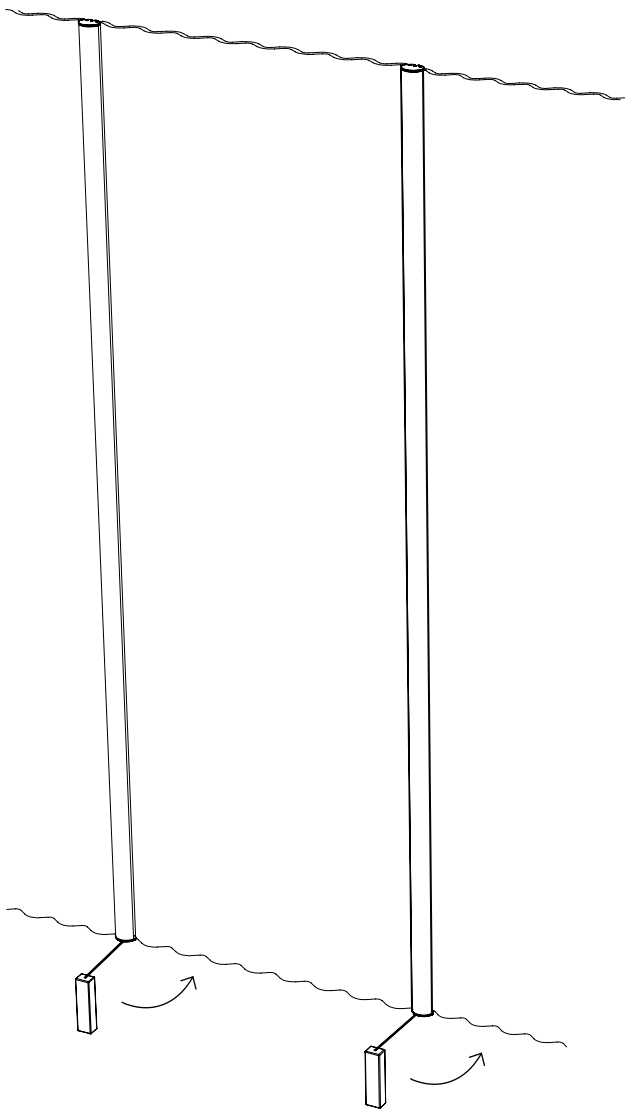


10 Put the caps back on the driver.



Connect the driver

11 Mount the driver to an invisible spot.



Find us at

A Dijkgraaf 38
6921 RL Duiven
The Netherlands

Get in touch

T +31 (0) 26 820 03 60
E sales@devorm.nl
W www.devorm.nl

Stay up to date

IG [@de_vorm](https://www.instagram.com/de_vorm)
LI [/company/de-vorm](https://www.linkedin.com/company/de-vorm)
PIN [/devorm_interiorproducts](https://www.pinterest.com/devorm_interiorproducts)