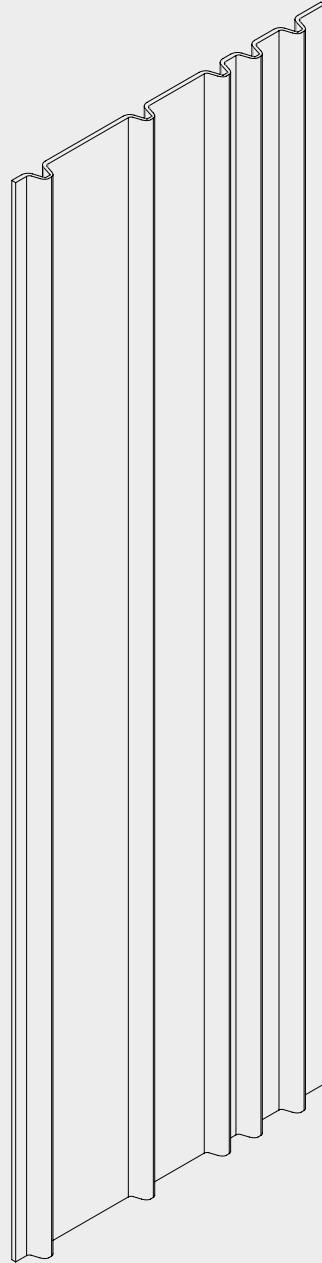


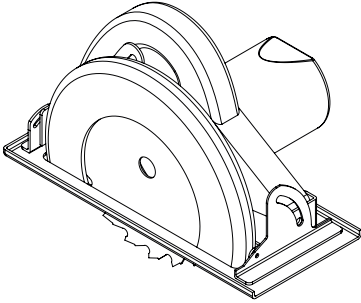
Mute Fraction PET Felt Acoustic Panel Installation Guide



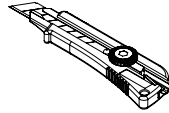
DeVorm

Tools

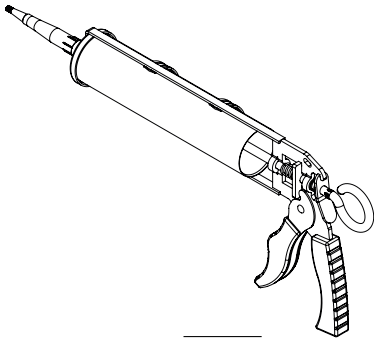
⚠ If you install the Mute panels with a fire retardant treatment, make sure to mount them on a non-combustible background and / or use non-combustible mounting materials.



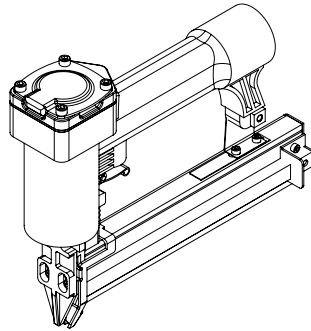
Circular saw



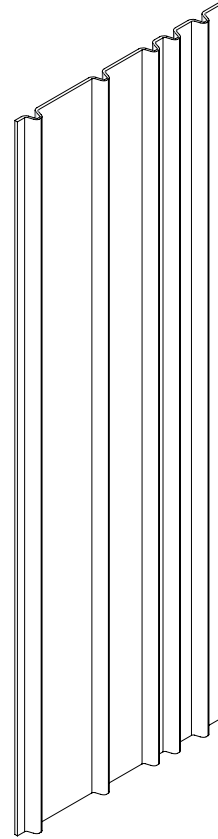
Snap-off blade cutter



Glue gun



Nail gun

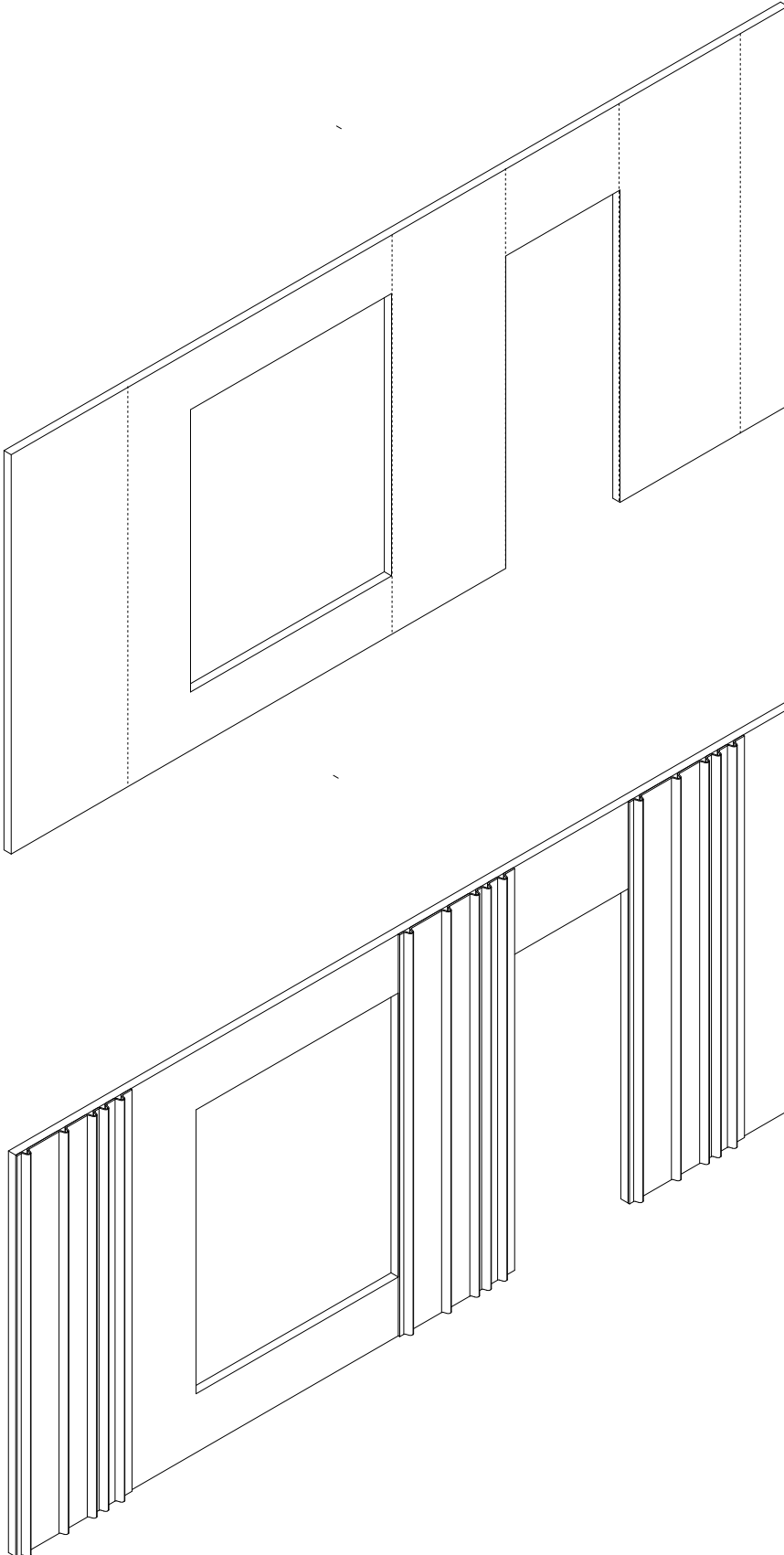


Mute Fraction panel

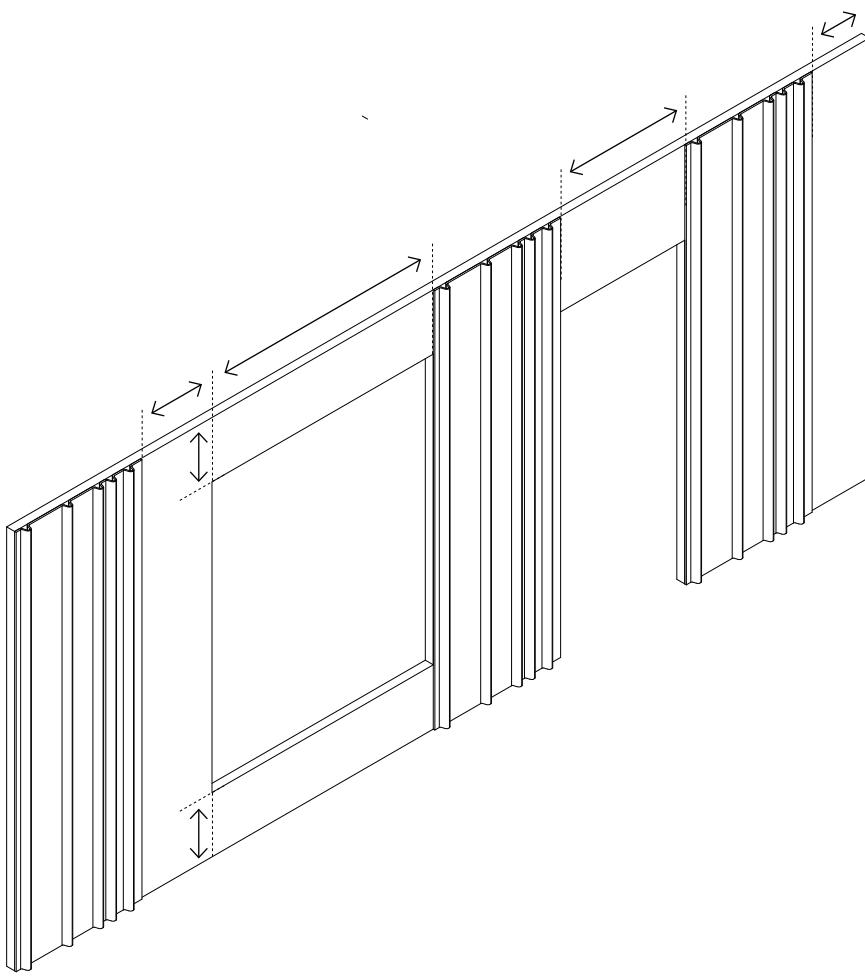
Cutting panels to size

- 1 Measure how many full panels fit on the surface you want to cover

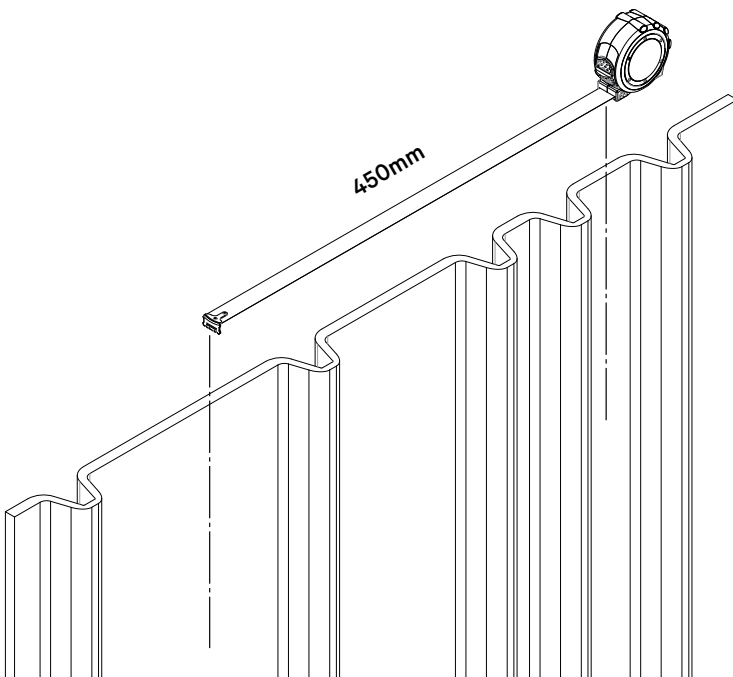
! The dimensions of a full Mute Fraction panel are 2390 x 790 mm



2 Measure the remaining blank sections

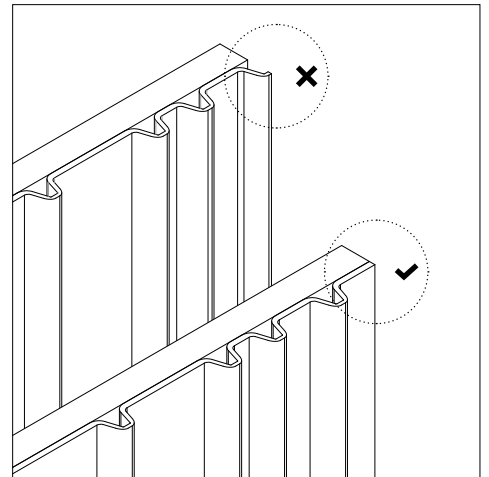
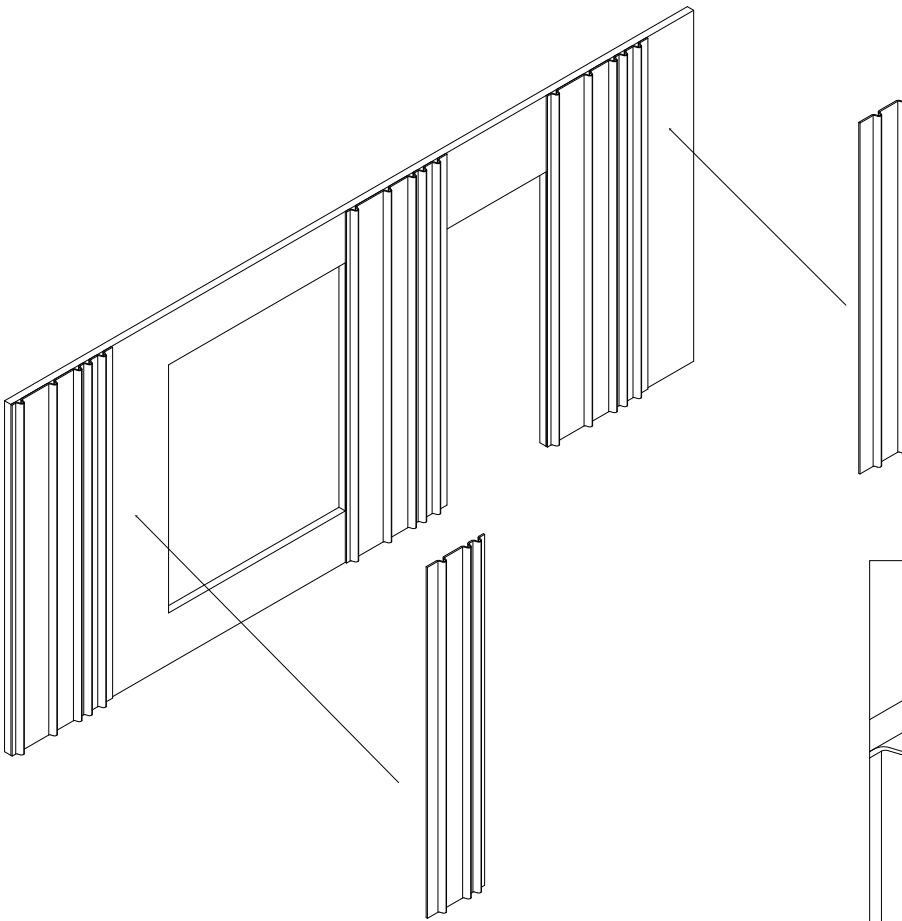


3 Measure the missing pieces

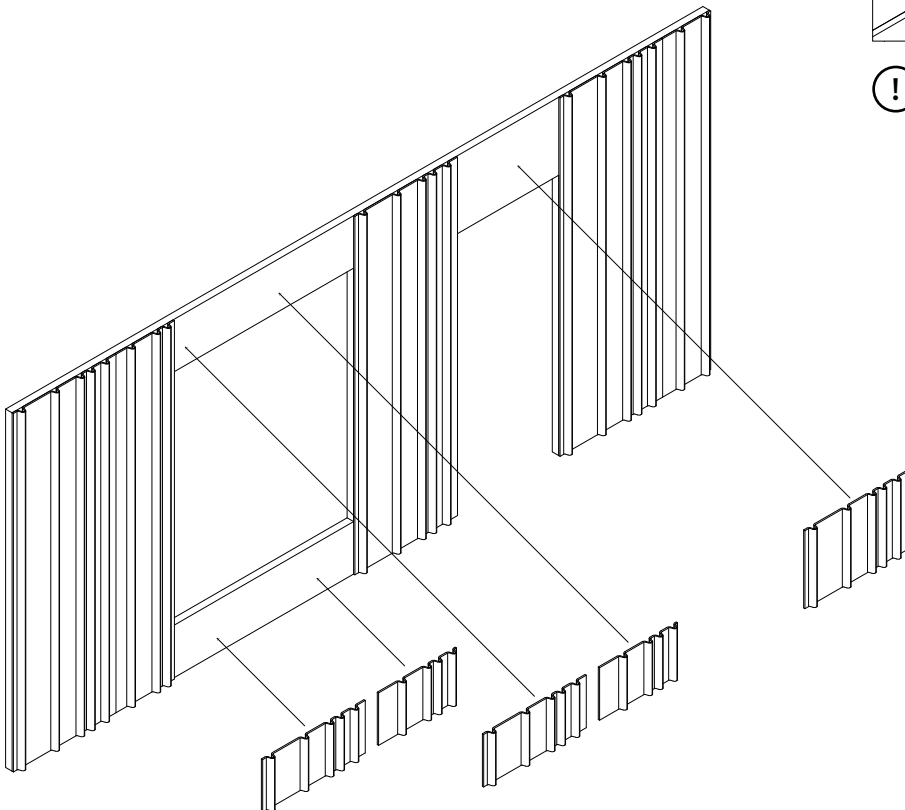


! The easiest way to measure where to cut the required piece is to place a tape measure along the top of a panel. Slide it until you find a position where the ends of the tape measure coincide with flat sections on the panel

4 Cut the missing pieces out of a panel



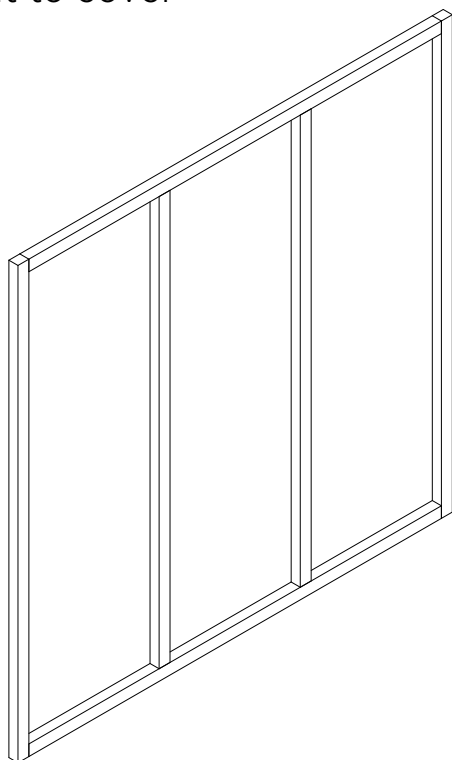
! Make sure every piece you cut ends with flat sections. This way, the pieces can be seamlessly connected with each other



Installing Mute Fraction using nail gun

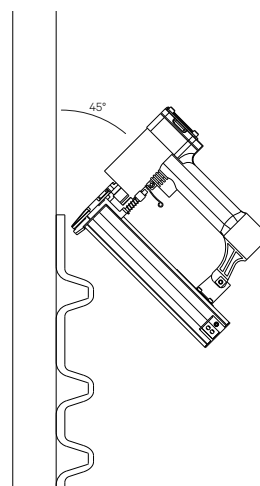
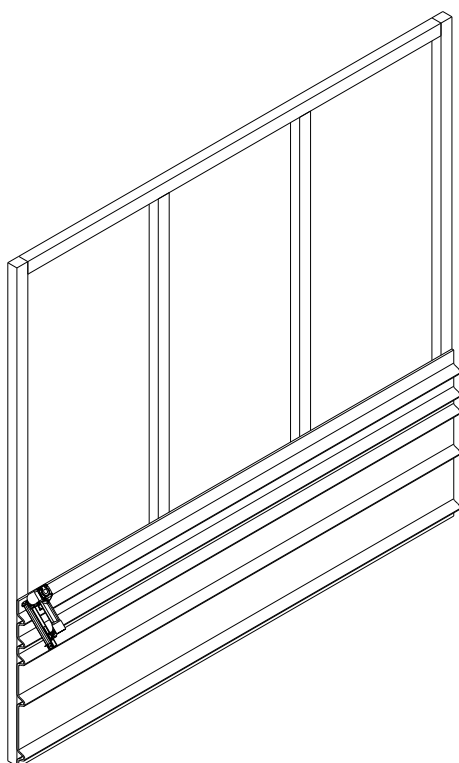
- 1 Prepare a wooden framework on the surface you want to cover

! Make sure the frame is levelled

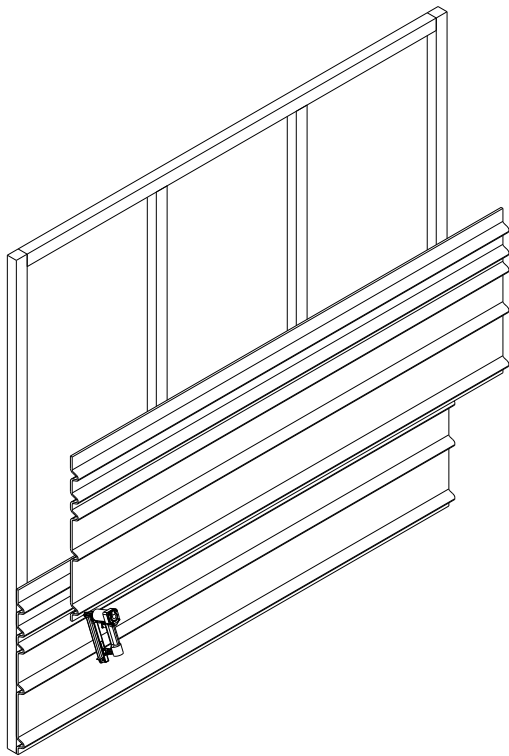


- 2 Place the first panel against the framework and attach it using the nail gun

! For a better grip, the nails should be applied at an angle of approximately 45°

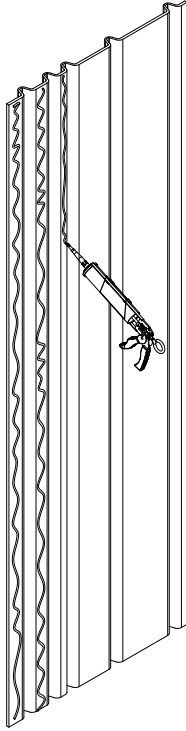


③ Repeat the previous step until the installation is complete



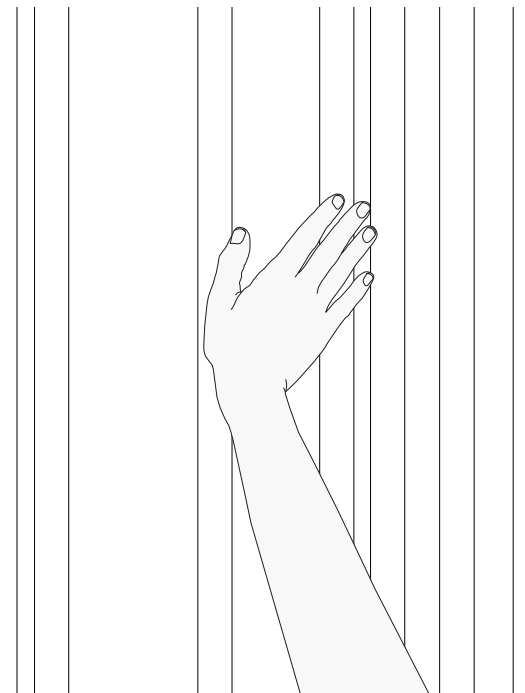
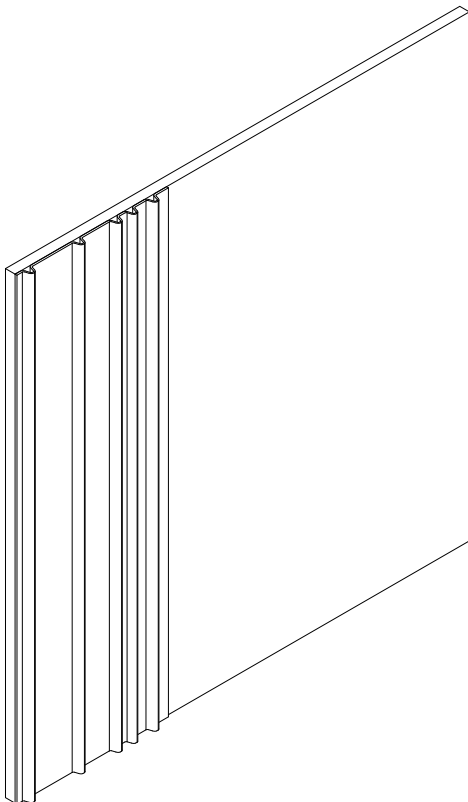
Installing Mute Fraction with glue gun

- 1 Apply the adhesive on the back side of the panel following the manufacturer instructions

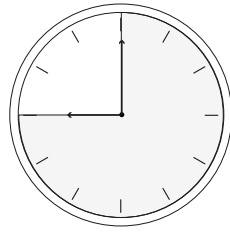
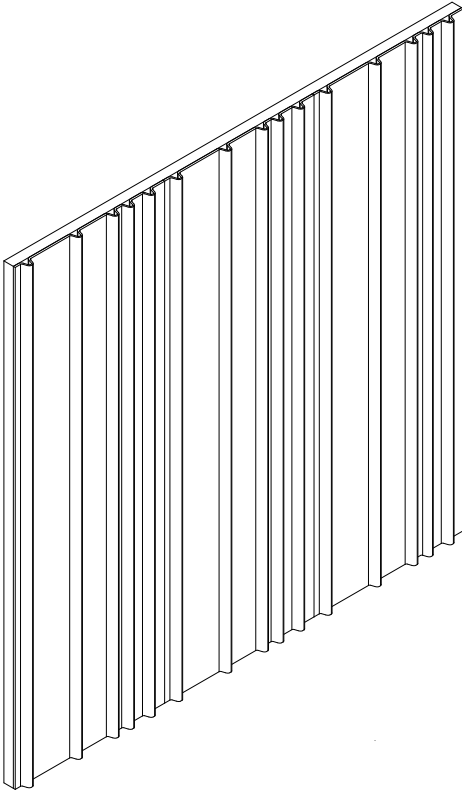


- ! Make sure the surface is clean and dust-free
- Distribute the glue evenly on the flat parts of the panel

- 2 Place the first panel against the wall and press it firmly



-
- 3 Allow the adhesive to cure. The curing time may vary, follow the manufacturer recommendations.



We create interior products by today's standards.

De Vorm is established in a new era, we develop products by the standards of today. This means we produce efficiently, use the full lifecycle of products and eventually give them a new life.

Our emphasis lies on making a product that works, by setting a variety of conditions; it should be legible, accessible, but also environmental friendly and aesthetically perfectly in balance.

We like a product because of its functionality.

A good product makes life easier — by helping us function better throughout the day. We firmly believe that the beauty of a design lies in the sum of its functions. That is what makes it a complete product.

We continuously raise the bar.

From the very first sketches we already start searching, combining and developing new techniques to find new possibilities to innovate. Our design process is infused with technical development; techniques result in aesthetic features and the other way round.