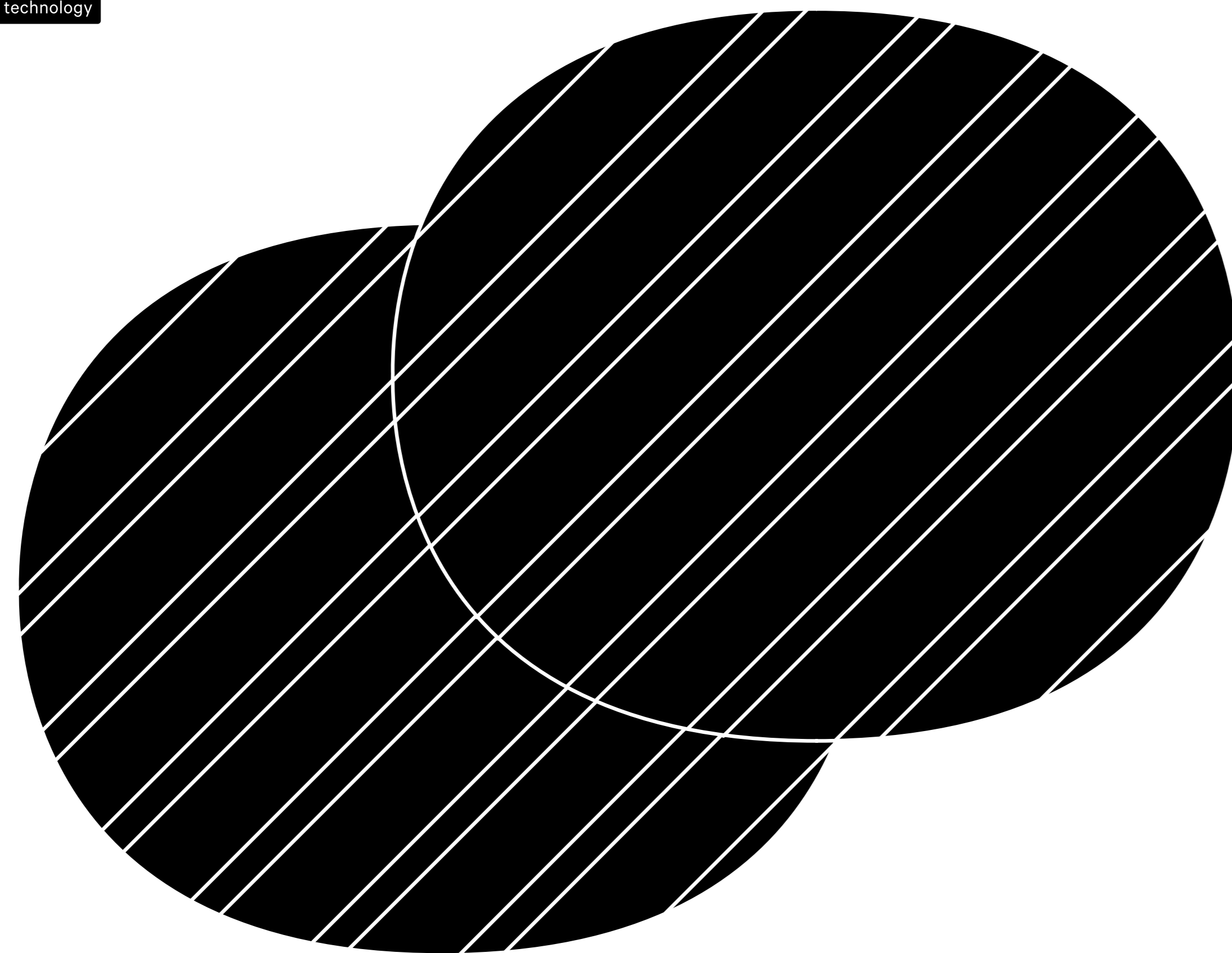




Onde

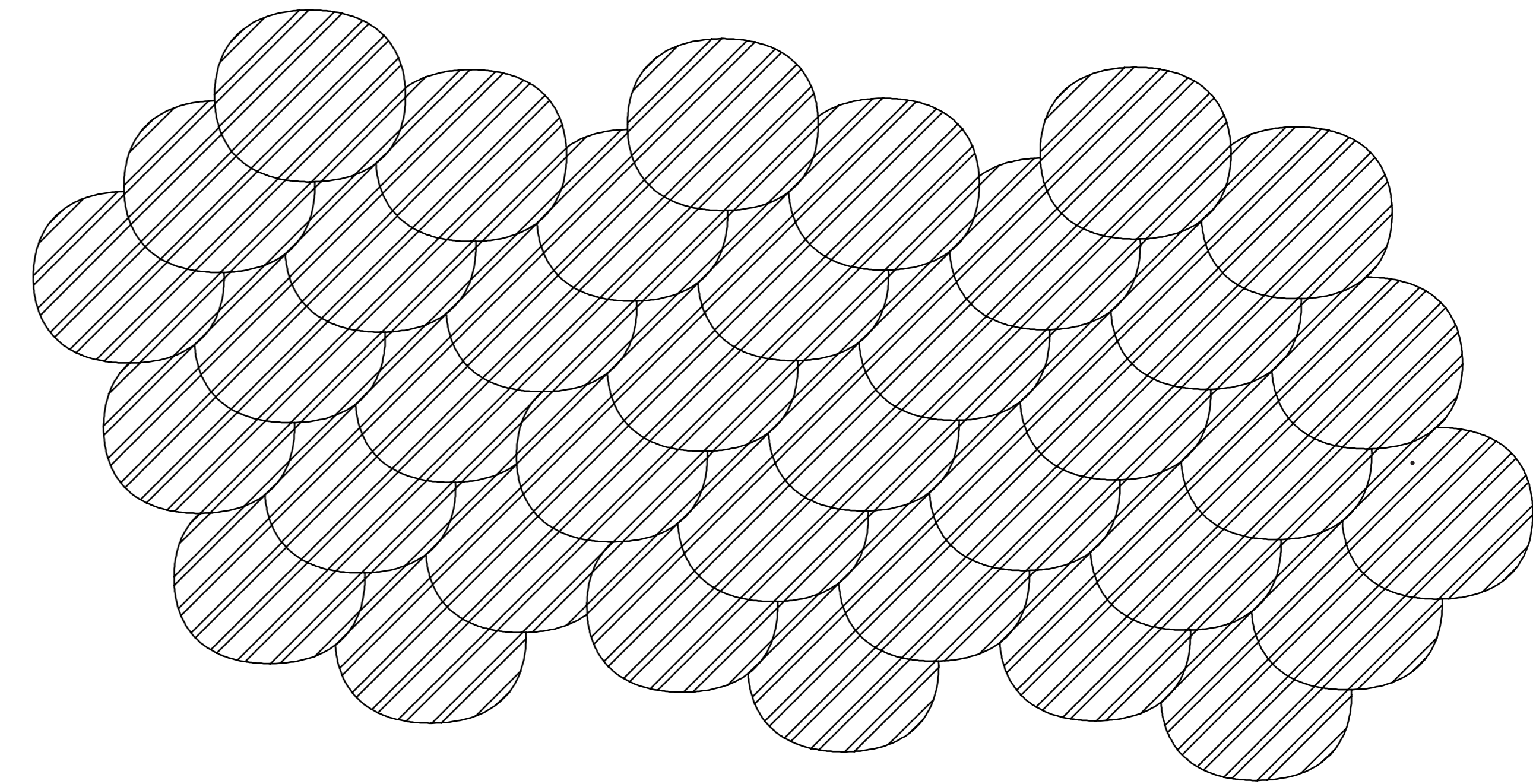
Acoustic wall panel



Designer
Perrine Vigneron

The aesthetic take on an acoustic panel without compromising on sound dampening qualities. The panel is pressed from PET felt and it's design allows free placement and overlapping to create a unique composition.

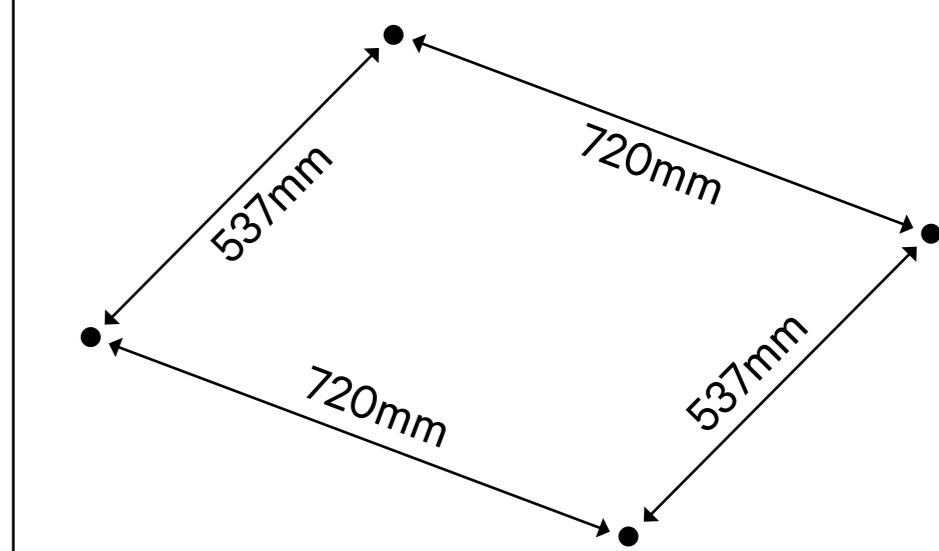
Configuration



How to prepare and mount your configuration

- 1 Layout**
 - Create your layout with the help of the drawing
- 2 Prepare the wall**
 - Mark the first 2, 3 or 4 centers for the Ondes with this poster
 - Reposition the poster to mark more centers for the Ondes
- 3 Mount the Ondes**
 - Mount the metal plate(s) on the selected center mark(s)
 - Hang the Onde(s). Start with the lowest Onde in your design

Space between the marks



Keep in mind:

- to use the grid
- to place the Onde at a 45 degree angle
- that the Onde is not placed too close to the floor the ceiling or a corner
- that the highest and lowest marking points need 40cm space to be placed correctly
- that left and right marking points need 45cm space

Use the level to balance this sheet

