

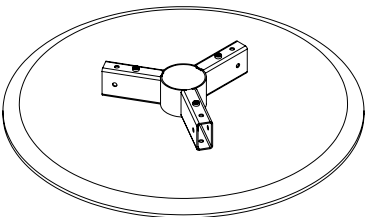

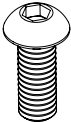
DeVorm

Pico Coffee Table

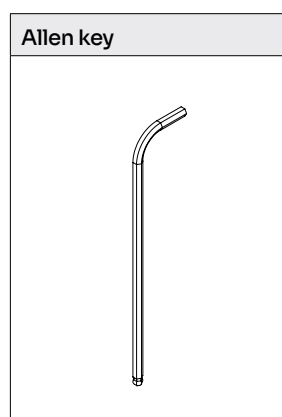
Installation guide



Parts required

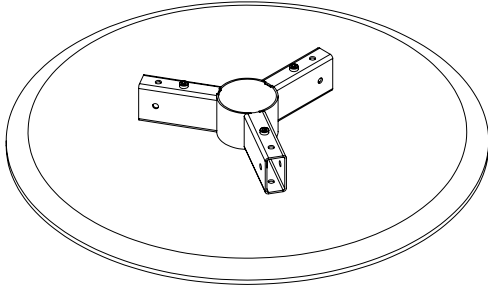
Tabletop + frame	Legs 3x	Button head screw M6 x 12mm 9x
		

Tools required

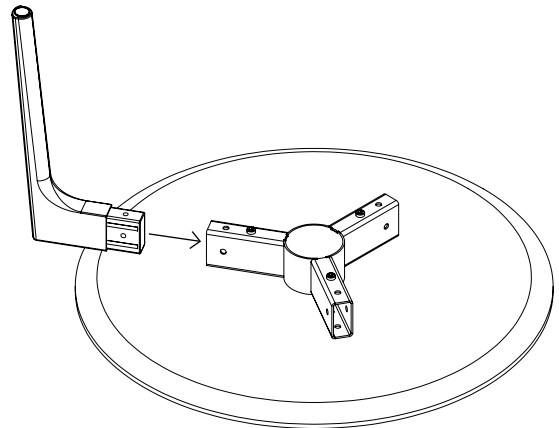


Installation

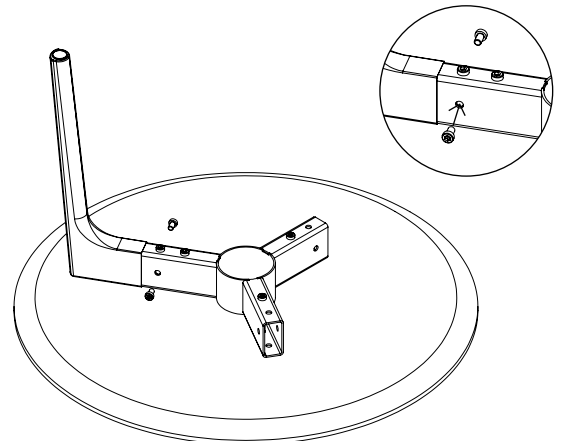
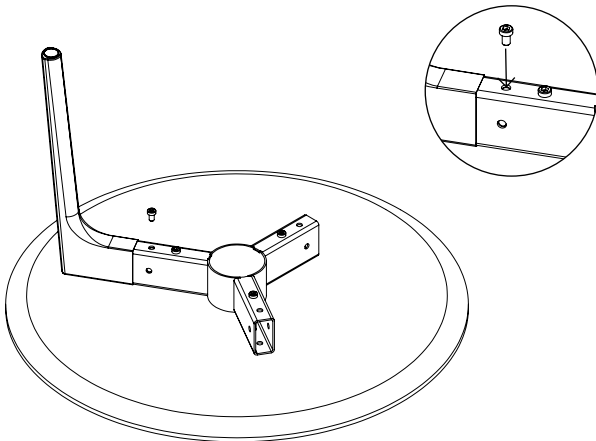
1 Place the tabletop upside down. Work on a flat surface and use a protective blanket to avoid damage.



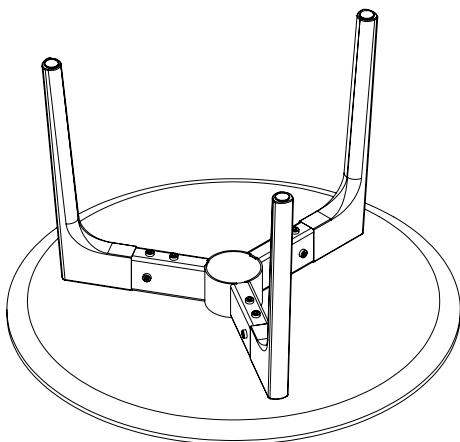
2 Slide the leg into the frame.



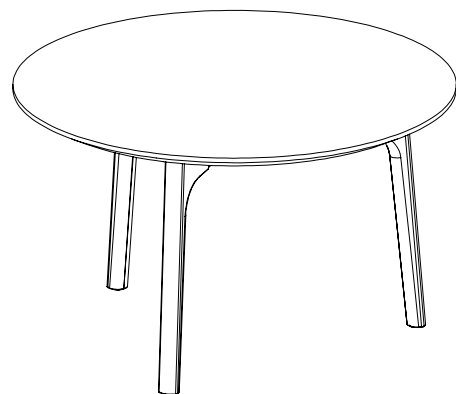
3 Fix the leg using (3x) screws M6x12mm. Tighten the screw with max. 5 Nm.



4 Repeat the previous step to assemble all three legs.



5 Place the table upright. You are all set!



Find us at

A Dijkgraaf 38
6921 RL Duiven
The Netherlands

Get in touch

T +31 (0) 26 820 03 60
E sales@devorm.nl
W www.devorm.nl

Stay up to date

IG [@de_vorm](https://www.instagram.com/de_vorm)
LI [/company/de-vorm](https://www.linkedin.com/company/de-vorm)
PIN [/devorm_interiorproducts](https://www.pinterest.com/devorm_interiorproducts)