

# Pico Coffee Table

## Installation Guide



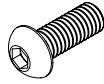
DeVorm

Tools



Allen key

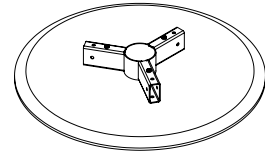
Parts required



Button head screw  
M6 x 12 mm  
9x

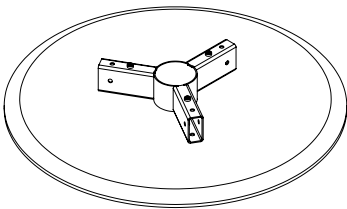


Legs  
3x



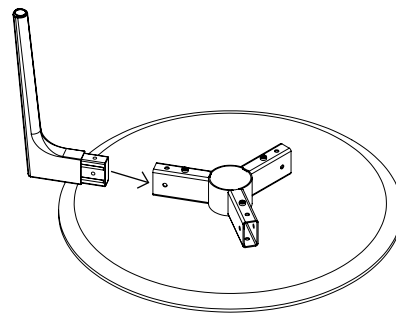
Tabletop + frame

1 Place the tabletop upside down

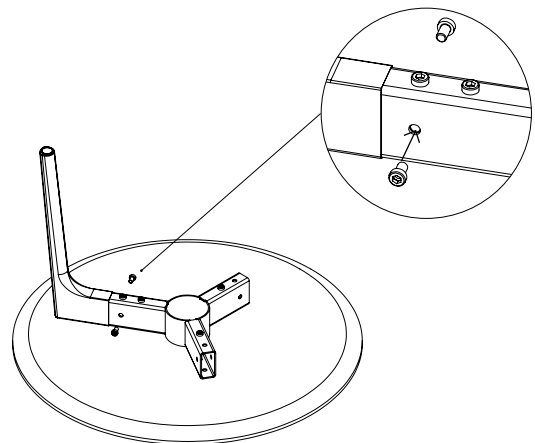
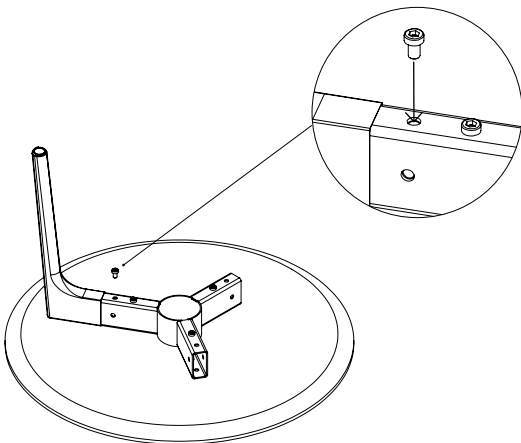


! Work on a flat surface and use a protective blanket to avoid damage

2 Slide the leg into the frame

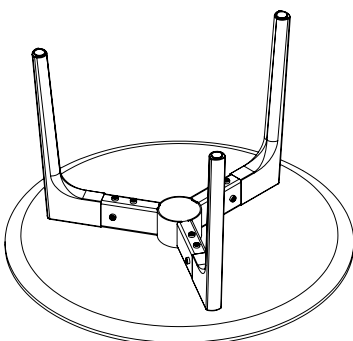


3 Fix the leg using (3x) screws M6x12mm



! Tighten the screw with max. 5 Nm

4 Repeat the previous step to assemble all three legs



5 Place the table upright. You are all set!



## We create interior products by today's standards.

De Vorm is established in a new era, we develop products by the standards of today. This means we produce efficiently, use the full lifecycle of products and eventually give them a new life.

Our emphasis lies on making a product that works, by setting a variety of conditions; it should be legible, accessible, but also environmental friendly and aesthetically perfectly in balance.

## We like a product because of its functionality.

A good product makes life easier — by helping us function better throughout the day. We firmly believe that the beauty of a design lies in the sum of its functions. That is what makes it a complete product.

## We continuously raise the bar.

From the very first sketches we already start searching, combining and developing new techniques to find new possibilities to innovate. Our design process is infused with technical development; techniques result in aesthetic features and the other way round.