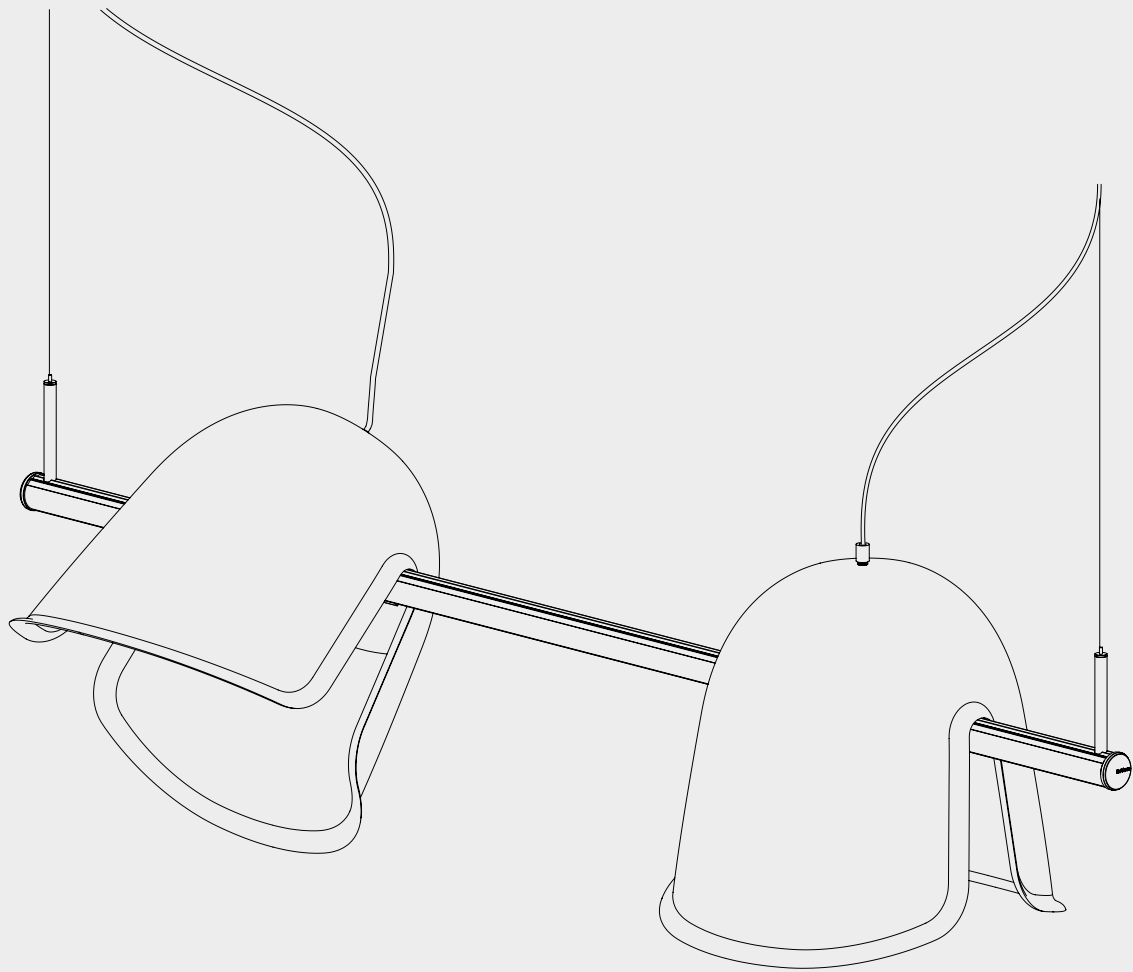


# Pivot Adjustable Lamp Duo

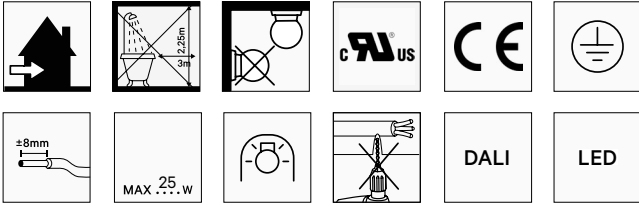
## Installation Guide



DeVorm

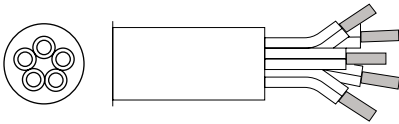
## Introduction

- Follow the instructions for a safe installation.
- Make sure that the power supply has been turned off before installing or cleaning the product.
- If the fixture is mounted on a metal surface, it must be earthed or connected to earthing from the electrical installation.
- All used components are UL-registered. Changes in design and technical specifications reserved.



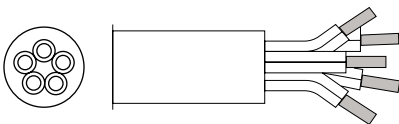
## Connection

- 5 pole wire - DALI dimming



Brown	L
Blue	N
Yellow/green	ground
Red	Dali+
White	Dali-

- 5 pole wire - No dimming



Brown	L
Blue	N
Yellow/green	ground
Red	not used
White	not used

## About

Pivot Lamp Duo features an aluminium rail with a two split PET Felt caps around it. Thanks to the rotatable fixture, the caps can be set into 5 positions to adjust the direction of light. Combining inherent flexibility with a playful and dynamic appearance, Pivot is suitable for various contexts in offices, restaurants and social spaces.

## Design

De Vorm

## Care & Maintenance

Make sure that the power has been turned off before cleaning this product. Maintain interior lighting with a dry cloth or brush. Do not use any aggressive detergents to clean the product. Keep all electrical components dry. It is advised to clean the stains by dabbing the PET Felt with a damp cloth. Do not rub the surface, it can cause damage and may cause bald spots. If this is not sufficient, stubborn stains can be removed with qualitative cleaning products like the James cleaning set.

Visit [devorm.nl](http://devorm.nl) for more information.

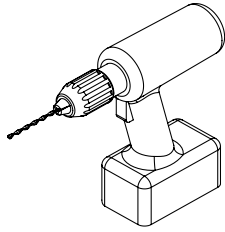
## Specifications

Light output	2200Lm
Voltage	110V-240V
Power	25W
Colour temperature	3000K or 4000K
CRI	>80
Base material	PET
Cover material	PC
Operating temperature	-20° - 65°
LED driver	Included
Dimmable	DALI
Rated life hours	L70B50 (50.000h)

## Tools

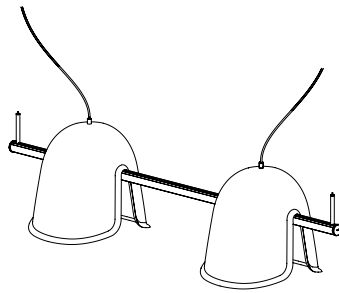


PZ Cross-head  
screwdriver

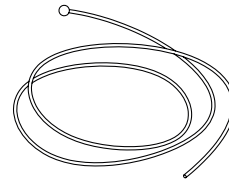


Drill

## Parts required



Assembled Pivot lamp  
incl. electrical cord



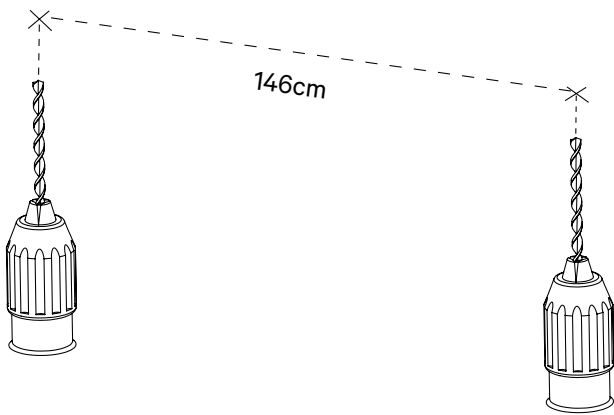
Steel cable  
Ø1mm x 3m  
2x



Ceiling mount  
Ø11x14mm  
2x

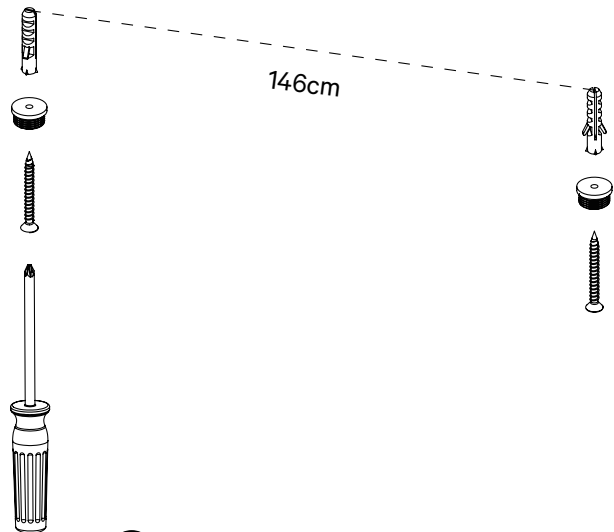
1 Make sure the power is switched off

2 Drill two holes with 146cm between them



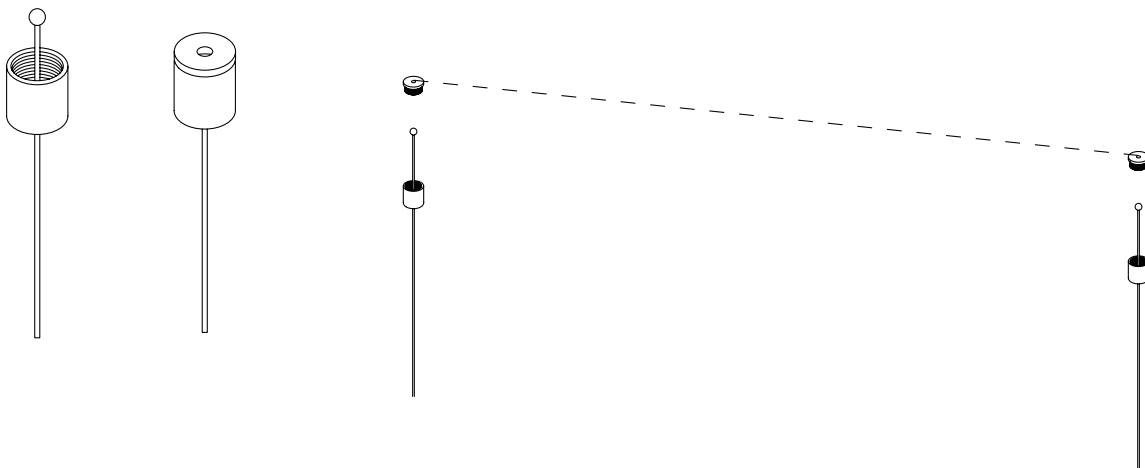
! Make sure you use the correct type of drill for the material you are drilling into

3 Insert plugs and screw the ceiling mount disk into the plug

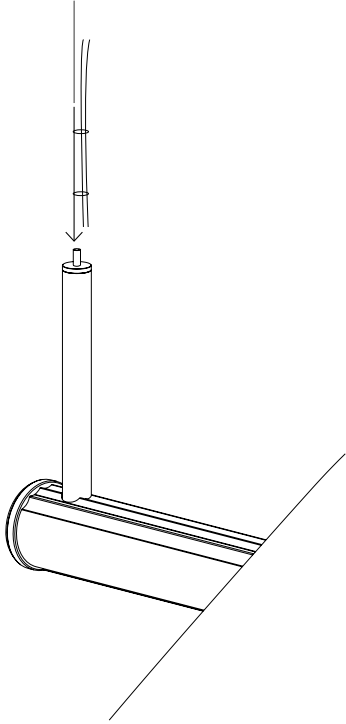


! Plug and screw are not included

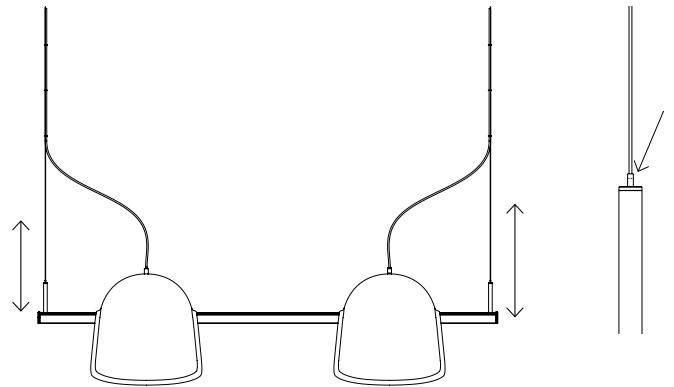
4 Insert the steel cable into the ceiling cap. Then mount the ceiling cap on the ceiling mount disk



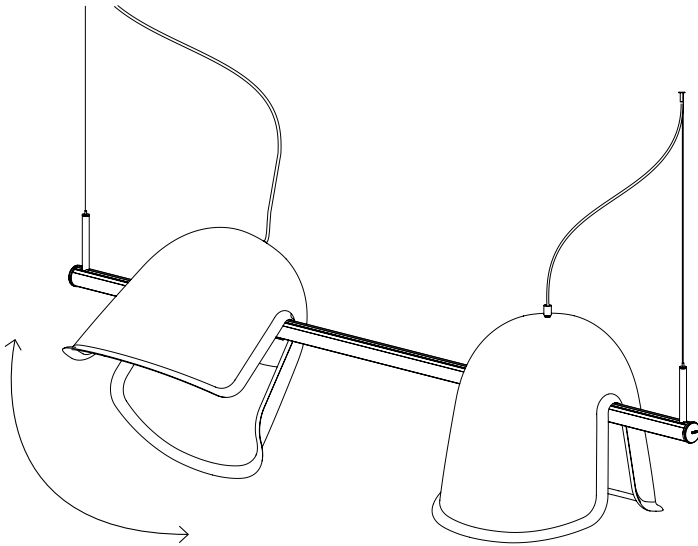
- 5 Cut the steel cable to the desired length.  
Thread the steel cable through the rubber rings on the cord and push the steel cables into the cable adjusters



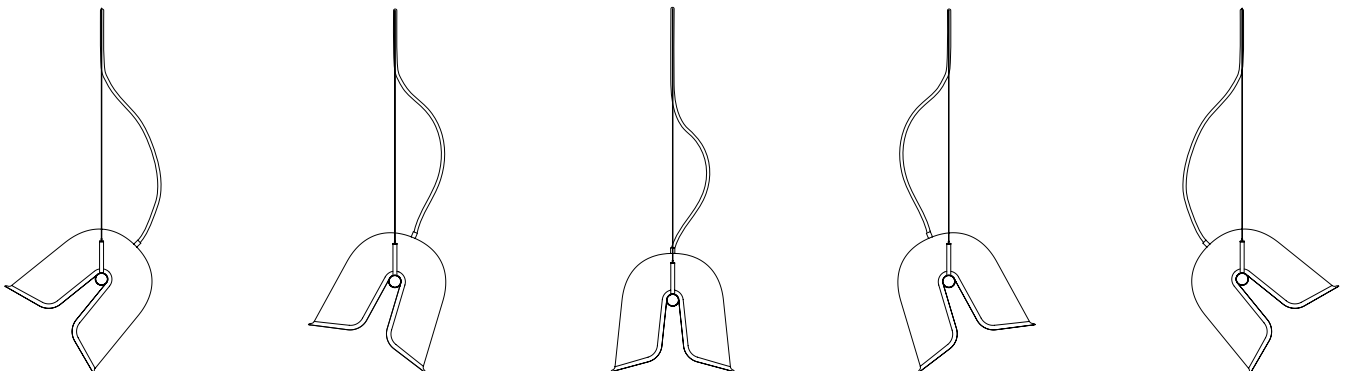
- 6 Adjust the steel cables accordingly by pushing the cable gripper down to lower the lamp



- 7 Connect the lamp to power supply and you're all set!  
To adjust the direction of light, hold the horizontal rail while turning the lampshades into desired positions



- ! The lampshades can be set into 5 positions



## We create interior products by today's standards.

De Vorm is established in a new era, we develop products by the standards of today. This means we produce efficiently, use the full lifecycle of products and eventually give them a new life.

Our emphasis lies on making a product that works, by setting a variety of conditions; it should be legible, accessible, but also environmental friendly and aesthetically perfectly in balance.

## We like a product because of its functionality.

A good product makes life easier — by helping us function better throughout the day. We firmly believe that the beauty of a design lies in the sum of its functions. That is what makes it a complete product.

## We continuously raise the bar.

From the very first sketches we already start searching, combining and developing new techniques to find new possibilities to innovate. Our design process is infused with technical development; techniques result in aesthetic features and the other way round.